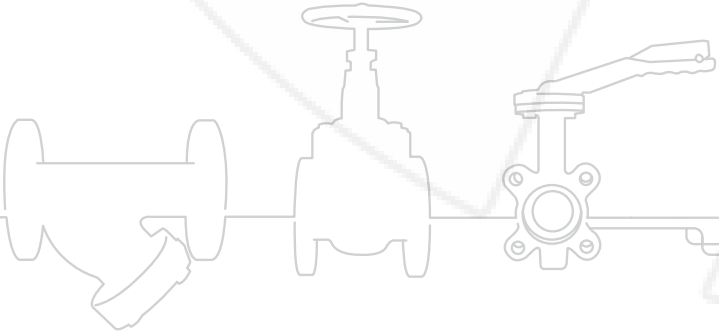


Product Catalogue



quotes@tipes.co.uk

Manual and Actuated Valves



Tel: 01626 201092

quotes@tfpes.co.uk

Tel: 01626 201092



Brass 4

• Ball Valves • 3 Way Valves • Check Valves • Gate Valves • Strainers • Drain Cocks

Press Valves 10

• Ball Valves • Check Valves • Strainer • FO Balancing Valve • DRV

DZR Brass 11

• Ball Valves • Gate Valves • Check Valves • Double Check Valves

Bronze 13

• Globe Valves • Gate Valves • Check Valves • Ball Valves • Strainers • Drain Cocks

Stainless Steel 16

• Ball Valves • 3 Way Valves • Globe Valves • Check Valves • Gate Valves • Strainers

Cast Iron 22

• Ball Valves • Butterfly Valves • Check Valves • Gate Valves • Strainers • Globe Valves

Hydronic Balancing & Controls 26

• PICV • DPCV • Monolink • Metering Stations • Commissioning Sets • 3 port Rotary Mixing/Diverting • DRV • TBV

Pressure Control Valves 32

• Pressure Reducing Valves • Pressure Relief Valve • Safety Valve • Standard Discharge • High Discharge • TMV

Plastic 36

• Ball Valves • 3 Way Valves • Butterfly Valves • Check Valves • Diaphragm Valves

Solenoid Valves 38

• Pilot Operated • Direct Acting • High Temperature • Namur • Gas Solenoid

Flexible Connectors 43

• Screwed • Flanged • Tied

Radiator Valves 45

• Angle • Reverse Angle • Straight • Pre-setting • Lockshield • TRV • Remote Sensor • Remote Adjuster

Actuated Valves 48

• Ball Valves • 3 Way Valves • Namur Solenoid Valves • Butterfly Valves • Plastic Valves • Switch Boxes

Technical Information 57

• Pressure & Temperature • Options • Branding • Certificates

Brass Valves



ART 45P

2 Piece Brass Ball Valve BSP Parallel F/F Ends (ISO 228/1)

Full Bore • 40 Bar Rated (1/4" - 1") 32 Bar Rated (1 1/4" - 2") • -20°C to +150°C
WRAS + EN331 Gas Approved

	1/4"	3/8"	1/2"	3/4"	1"	1 1/4"	1 1/2"	2"
F	45	45	63	71	83	92	104	124

Handle options: Tee Handle - Yellow
Lever - Yellow, Red + Blue



ART 45T

2 Piece Brass Ball Valve BSP Taper F/F Ends (ISO 7/1)

Full Bore • 40 Bar Rated (1/4" - 1") • 32 Bar Rated (1 1/4" - 2") • 25 Bar Rated (2 1/2" - 4")
-20°C to +150°C • WRAS + EN331 Gas Approved

	1/4"	3/8"	1/2"	3/4"	1"	1 1/4"	1 1/2"	2"	2 1/2"	3"	4"
F	45	45	63	71	83	92	104	124	140	159	195

Handle options: Tee Handle - Yellow
Lever - Yellow, Red + Blue



ART 45 NPT

2 Piece Brass Ball Valve NPT F/F Ends (ANSI B1.20.1)

Full Bore • 40 Bar Rated (1/4" - 1") 32 Bar Rated (1 1/4" - 2") 25 Bar Rated (2 1/2" - 4")
-20°C to +150°C

	1/4"	3/8"	1/2"	3/4"	1"	1 1/4"	1 1/2"	2"	2 1/2"	3"	4"
F	45	45	60	67	80	89	98	112	140	159	196



ART 46

2 Piece Brass Ball Valve BSP Parallel M/F Ends (ISO 228/1)

Full Bore • 40 Bar Rated (1/4" - 1") 32 Bar Rated (1 1/4" - 2") • -20°C to +150°C
WRAS Approved

	1/4"	3/8"	1/2"	3/4"	1"	1 1/4"	1 1/2"	2"
F	42	54	70	80	92	102	117	137



ART 47

2 Piece Brass Ball Valve BSP Parallel M/M Ends (ISO 228/1)

Full Bore • 40 Bar Rated • -20°C to +150°C • WRAS Approved

	3/8"	1/2"	3/4"	1"
F	54	68	77	92

This product is subject to a lead time.

quotes@tipes.co.uk

Tel: 01626 201092



ART 40P

2 Piece Brass Ball Valve BSP Parallel F/F Ends (ISO 228/1)

Full Bore • 40 Bar Rated (1/4 - 2") • 25 Bar Rated (2 1/2 - 4") • -20°C to +140°C
WRAS + EN331 Gas Approved

	1/4"	3/8"	1/2"	3/4"	1"	1 1/4"	1 1/2"	2"	2 1/2"	3"	4"
F	45	45	57	67	77	88	99	121	146	168	199

Handle options: Tee Handle - Yellow, Red + Blue
Lever - Yellow, Red + Blue



ART 40T

2 Piece Brass Ball Valve BSP Taper F/F Ends (ISO 7/1)

Full Bore • 40 Bar Rated (1/4 - 2") • 25 Bar Rated (2 1/2 - 4") • -20°C to +140°C
WRAS + EN331 Gas Approved

	1/4"	3/8"	1/2"	3/4"	1"	1 1/4"	1 1/2"	2"	2 1/2"	3"	4"
F	45	45	57	67	77	88	99	121	146	168	199

Handle options: Tee Handle - Yellow, Red + Blue
Lever - Yellow



ART 40NPT

2 Piece Brass Ball Valve NPT F/F Ends (ANSI B1.20.1)

Full Bore • 40 Bar Rated (1/4 - 2") • 25 Bar Rated (2 1/2 - 4") • -20°C to +140°C
WRAS Approved

	1/4"	3/8"	1/2"	3/4"	1"	1 1/4"	1 1/2"	2"	2 1/2"	3"	4"
F	45	45	57	67	77	88	99	121	146	168	199

Handle options: Tee Handle - Yellow, Red + Blue
Lever - Black + Yellow



ART 54

2 Piece Brass Ball Valve BSP Parallel F/F Ends (ISO 228/1)

Full Bore • 32 Bar Rated (1/4 - 1") 25 Bar Rated (1 1/4 - 2")
16 Bar Rated (2 1/2 - 4") • -5°C to +110°C • WRAS Approved

	1/4"	3/8"	1/2"	3/4"	1"	1 1/4"	1 1/2"	2"	2 1/2"	3"	4"
F	41.5	43.5	48	58	69	80	91	108	130	150	182

Handle options: Lever - Red + Blue



ART 89

Brass Ball Valve Compression Ends (BS EN1254-2)

Full Bore • 25 Bar Rated • -10°C to +110°C • WRAS Approved
EN331 Gas Approved

	15mm	22mm	28mm	35mm	42mm	54mm
F	70.5	80	91.5	109	123	150

Handle options: Tee Handle - Yellow, Red + Blue
Lever - Yellow, Red + Blue

quotes@tipes.co.uk

Brass Valves

NEW



ART 18

Brass Compression Isolation Valve

10 Bar Rated • -20°C to +85°C • WRAS Approved • Ends conform to BS EN1254-2

	15mm	22mm
F	50	65



ART 160

Brass Ball Valve BSP Parallel F/F Ends (ISO 228/1)

Full Bore • 40 Bar Rated (1/4 - 1") 32 Bar Rated (1 1/4") 30 Bar Rated (1 1/2 - 2 1/2")
25 Bar Rated (3") • ISO Direct Mount • -20°C to +120°C

	1/4"	3/8"	1/2"	3/4"	1"	1 1/4"	1 1/2"	2"	2 1/2"	3"
F	65	65	65	75	86	95	101	120	165	188



ART 70/71

3 Way 'L' & 'T' Port Brass Ball Valve BSP Parallel Female Ends (ISO 228/1)

Reduced Bore • 32 Bar Rated (1/4 - 1") 25 Bar Rated (1 1/4 - 2")
-20°C to +150°C

	1/4"	3/8"	1/2"	3/4"	1"	1 1/4"	1 1/2"	2"
F	74	74	80	90	105	115	138	161



ART 87/88

3 Way 'T' & 'L' Port Brass Ball Valve BSP Parallel Female Ends (ISO 228/1)

30 Bar Rated (1/4 - 3/4") 20 Bar Rated (1 - 1 1/4") 16 Bar Rated (1 1/2 - 2")
PTFE Seals • ISO Direct Mount • -20°C to +120°C

	1/4"	3/8"	1/2"	3/4"	1"	1 1/4"	1 1/2"	2"
F	65	65	78	87	105	118	134	161



ART 175

Brass Gate Valve BS 5154 Approved BSP Taper F/F Ends (ISO 7/1)

25 Bar Rated • -10°C to +186°C • Kite Marked KM 553179

	1/2"	3/4"	1"	1 1/4"	1 1/2"	2"
F	44	48	55	61	68	71



Tel: 01626 201092



ART 610

Brass Gate Valve Conforms to BS 5154 BSP Taper F/F Ends (ISO 7/1)

20 Bar Rated • -20°C to +170°C

	1/2"	3/4"	1"	1 1/4"	1 1/2"	2"	2 1/2"	3"	4"
F	43	46	52	65	66	83	94	103	120



ART 611

Brass Gate Valve BSP Parallel F/F Ends (ISO 228/1)

16 Bar Rated • -10°C to +110°C

	3/4"	1 1/4"
F	41	51



ART 615

Brass Gate Valve Conforms to BS 5154 Compression Ends (BS EN1254-2)

16 Bar Rated • -10°C to +110°C

	15mm	22mm	28mm	35mm	42mm	54mm
F	59	68	76	95	104	119



ART 84M/84R

Brass Swing Check Valve BSP Parallel F/F Ends (ISO 228/1)

20 Bar Rated • Metal Seat • 0°C to +150°C • 84R Rubber Seat • 0°C to +100°C

	1/2"	3/4"	1"	1 1/4"	1 1/2"	2"	2 1/2"	3"	4"
F	46	56	63.5	67.5	82	94	105	126.5	159



ART 66

Brass Spring Check Valve BSP Parallel F/F Ends (ISO 228/1)

20 Bar Rated • Flat Metal Disc • 0°C to +100°C

	3/8"	1/2"	3/4"	1"	1 1/4"	1 1/2"	2"	2 1/2"	3"	4"
F	44.5	47	49	58	65	70	83	100	107	111

Brass Valves



ART 98

Stainless Steel Mesh Filter BSP Parallel Male End

16 Bar Rated • 0°C to +110°C

	3/8"	1/2"	3/4"	1"	1 1/4"	1 1/2"	2"	2 1/2"	3"	4"
F	47	54	60	64	72	82	95	96	112	127



ART 68

Brass Y Type Strainer BSP Parallel F/F Ends (ISO 228/1)

20 Bar Rated • 0°C to +150°C • Stainless Steel Screen

	1/2"	3/4"	1"	1 1/4"	1 1/2"	2"	2 1/2"	3"	4"
F	57	72	74.5	95	105	129	142.5	160	245

NEW



ART 10

Brass Drain Cock BSP Parallel Male End (ISO 228/1)

16 Bar Rated • -20°C to +90°C • WRAS Approved • BS 2879/2 Type A
Hose Connection Outlet

	1/2"	3/4"
F	45-49.5	63-69.5

COMING 2020



ART 14

Brass Drain Cock Male Spigot

16 Bar Rated • -20°C to +90°C • WRAS Approved • BS 2879/2 Type A
Hose Connection Outlet

	15mm
F	51.5-56.0

NEW



ART 15

Brass Drain Cock Extended Male Spigot

16 Bar Rated • -20°C to +90°C • WRAS Approved • BS 2879/2 Type A
Hose Connection Outlet

	15mm
F	71.3-75.8

Tel: 01626 201092



ART 1360

Automatic Air Vent BSP Parallel Male End (ISO 228/1)

Body Brass CW617N Nickel Plated • 10 Bar Rated • +5°C to +110°C

	3/8"	1/2"
F	61	61



ART 257 / ART 257C

Locking Device

To Suit Art 45, 40, 50, 59 & 89 Series • Consult Brass Product Information Book for more details

	1/4"	3/8"	1/2"	3/4"	1"	1 1/4"	1 1/2"	2"
257	95	95	120	120	150	150	160	160
257C	-	-	100	100	125	150	150	165

Handle options: ART 257C available in blue

NEW



ART 96

Extended Tee Handle

To Suit Art 40, 50, 59 & 89 Series • Supplied with red and blue caps
Consult Brass Product Information Book for more details

1/2" - 15mm	3/4" - 22mm	1" - 28mm
1B	1B	2B



ART 97

Thermal Extension

To Suit Art 45 Series • Consult Brass Product Information Book for more details

1/4"	3/8"	1/2"	3/4"	1"	1 1/4"	1 1/2"	2"	2 1/2"	3"	4"
M	M	1A	1A	2A	2A	3A	3A	*	*	*



ART 97C

Thermal Extension

To Suit Art 40, 50, 59 + 89 Series

Consult Brass Product Information Book for more details

1/2" - 15mm	3/4" - 22mm	1" - 28mm	1 1/4" - 35mm	1 1/2" - 42mm	2" - 54mm
1B	1B	2B	3B	3B	4B

Press Valves



ART 55 PRS

DZR Brass Ball Valve

Full Bore • 24 Bar Rated (15mm), 20 Bar Rated (22mm & 28mm), 17 Bar Rated (35mm - 54mm) • -20°C to +140°C • Universal M + V Press 15mm to 35mm • Dedicated M + V Profiles 42mm and 54mm • Thermal extension available on request
5 Year Guarantee • WRAS Approved

	15mm	22mm	28mm	35mm	42mm	54mm
F	78	90.5	99	107	132.5	154.5

Handle options: Lever - Red, Blue + Black



ART 25 PRS

DZR Brass Fixed Orifice Double Regulating Valve (FODRV)

25 Bar Rated • -10°C to +120°C • 'M' Press Ends • EPDM Seat • 5 Year Guarantee

	15mm	22mm	28mm	35mm	42mm	54mm
F	169	190	207	238	266	313



ART 26 PRS

DZR Brass Double Regulating Valve (DRV)

20 Bar Rated • -10°C to +120°C • 'M' Press Ends • EPDM Seat • 5 Year Guarantee

	15mm	22mm	28mm	35mm	42mm	54mm
F	152	170	186	202	219	263



ART 194 PRS

PN16 Brass Swing Check Valve

16 Bar Rated • -10°C to +150°C • 'M' Press Ends • EPDM Seat • 5 Year Guarantee

	15mm	22mm	28mm	35mm	42mm	54mm
F	111	130	142	156	172	208



ART 198 PRS

PN20 DZR Brass 'Y' Type Strainer

20 Bar Rated • -10°C to +150°C • 'M' Press Ends • EPDM Seat • 5 Year Guarantee

	15mm	22mm	28mm	35mm	42mm	54mm
F	127	145	163	180	201	237

Tel: 01626 201092

DZR Brass Valves



ART 640HW

PN20 DZR Brass Gate Valve Conforms to BS5154 BSP Taper F/F Ends (ISO 7/1)

20 Bar Rated • -20°C to +170°C

	1/2"	3/4"	1"	1 1/4"	1 1/2"	2"
F	43	46	52	65	66	82.5



ART 640LS

PN20 DZR Brass Gate Valve Conforms to BS5154 BSP Taper F/F Ends Lockshield (ISO 7/1)

20 Bar Rated • -20°C to +170°C

	1/2"	3/4"	1"	1 1/4"	1 1/2"	2"
F	43	46	52	65	66	82.5



ART 50

2 Piece DZR Brass Ball Valve BSP Taper F/F Ends (ISO 7/1)

Full Bore • 40 Bar Rated • -20°C to +130°C • WRAS Approved

	1/4"	3/8"	1/2"	3/4"	1"	1 1/4"	1 1/2"	2"
F	46	46	56	68	78	87	100	120



Handle options: Tee Handle - Red + Blue
Lever - Red + Blue



ART 59

DZR Brass Ball Valve Compression Ends (BS EN1254-2)

Full Bore • 25 Bar Rated • -10°C to +110°C • WRAS Approved

	15mm	22mm	28mm	35mm	42mm	54mm
F	70.5	80	91.5	109	123	150



Handle options: Tee Handle - Red + Blue
Lever - Red + Blue



ART 55 PRS

PN16 DZR Brass Ball Valve

Full Bore • 24 Bar Rated (15mm), 20 Bar Rated (22mm & 28mm), 17 Bar Rated (35mm - 54mm) • -20°C to +140°C • Universal M + V Press 15mm to 35mm • Dedicated M + V Profiles 42mm and 54mm • Thermal extension available on request
5 Year Guarantee • WRAS Approved

	15mm	22mm	28mm	35mm	42mm	54mm
F	78	90.5	99	107	132.5	154.5



Handle options: Lever - Red, Blue + Black

DZR Brass Valves



ART 36

DZR Brass Double Check Valve BSP Parallel F/F Ends (ISO 228/1)

16 Bar Rated • -10°C to +85°C • WRAS Approved • Conforms with EN13959

	1/2"	3/4"	1"	1 1/4"	1 1/2"	2"
F	71	83	98	118	134	173



ART 37

DZR Brass Double Check Valve Compression Ends (BS EN1254-2)

10 Bar Rated • -10°C to +85°C • WRAS Approved • Conforms with EN13959

	15mm	22mm	28mm
F	79	100	112



ART 345

2 Piece Bronze Ball Valve BSP Taper F/F Ends (ISO 7/1)

Full Bore • 40 Bar Rated • -10°C to +140°C • WRAS Approved

	1/2"	3/4"	1"	1 1/4"	1 1/2"	2"
F	55	62	73	83	92	107



ART 375HW

Bronze Gate Valve Conforms to BS 5154 BSP Taper F/F Ends Handwheel Op (ISO 7/1)

20 Bar Rated • -10°C to +232°C • WRAS Approved

	1/2"	3/4"	1"	1 1/4"	1 1/2"	2"
F	47.5	51.5	58.6	63	66.5	73.5



ART 375LS

Bronze Gate Valve Conforms to BS 5154 BSP Taper F/F Ends Lockshield (ISO 7/1)

20 Bar Rated • -10°C to +232°C • WRAS Approved

	1/2"	3/4"	1"	1 1/4"	1 1/2"	2"
F	47.5	51.5	58.6	63	66.5	73.5



ART 350

Bronze Globe Valve Conforms to BS 5154 BSP Taper F/F Ends (ISO 7/1)

32 Bar Rated • -10°C to +200°C • Renewable PTFE Seat

	1/2"	3/4"	1"	1 1/4"	1 1/2"	2"
F	57	67	76.5	88	102.5	121.5



ART 384

Bronze Swing Check Valve BSP Taper F/F Ends (ISO 7/1)

20 Bar Rated • -10°C to +232°C • Metal Seat

	1/2"	3/4"	1"	1 1/4"	1 1/2"	2"
F	56	70.5	80.0	96.5	110.0	129.0



Bronze Valves



ART 368

Bronze 'Y' Type Strainer BSP Taper F/F Ends (ISO 7/1)

20 Bar Rated • -10°C to +232°C • Stainless Steel Screen 0.75mm
WRAS Approved

	1/2"	3/4"	1"	1 1/4"	1 1/2"	2"
F	80	100	115	135	160	190



ART 380

Bronze Lift Check Valve BSP Parallel F/F Ends (ISO 228/1)

20 Bar Rated (1/2 - 2") • 16 Bar Rated (2 1/2 - 4") • -10°C to +180°C (1/2 - 2") • -10°C to 170°C (2 1/2 - 4") • PTFE Seat

	1/2"	3/4"	1"	1 1/4"	1 1/2"	2"	2 1/2"	3"	4"
F	60	70	84	92	107	126	135	148	190

NEW



ART 310

Bronze Drain Cock BSP Taper Male End (ISO 7/1)

16 Bar Rated • -20°C to +120°C • WRAS Approved • BS 2879/2 Type A
Hose Connection Outlet

	1/2"	3/4"
F	53.5-58.5	65-71.5

NEW



ART 311

Bronze Drain Cock (Lockshield) BSP Taper Male End (ISO 7/1)

16 Bar Rated • -20°C to +120°C • WRAS Approved • BS 2879/2 Type A
Hose Connection Outlet

	1/2"	3/4"
F	53.5-58.5	65-71.5



ART 335

Flanged Bronze Gate Valve Drilled PN16 (Undrilled on request)

16 Bar Rated (1/2 - 4") • 10 Bar Rated (5 - 6") • -10°C to +170°C (1/2 - 4")
-10°C to 150°C (5 - 6")

	1/2"	3/4"	1"	1 1/4"	1 1/2"	2"	2 1/2"	3"	4"	5"	6"
F	69	85	89	98	113	124	154	158	170	191	210

Tel: 01626 201092



ART 390

Flanged Bronze Globe Valve Drilled PN16 (Undrilled on request)

16 Bar Rated • -10°C to +170°C • PTFE Seat

	1/2"	3/4"	1"	1 1/4"	1 1/2"	2"	2 1/2"	3"	4"
F	84	95	105	115	134	156	170	180	200

This product is subject to a lead time.



ART 360

Flanged Bronze Lift Check Valve Drilled PN16 (Undrilled on request)

16 Bar Rated • -10°C to +170°C • PTFE Seat

	1/2"	3/4"	1"	1 1/4"	1 1/2"	2"	2 1/2"	3"	4"
F	84	95	105	115	134	156	170	180	200

This product is subject to a lead time.

Stainless Steel Valves



ART 901L

1 Piece Stainless Steel Ball Valve BSP Taper F/F Ends (ISO 7/1)

Reduced Bore • 69 Bar Rated (1/4 - 1 1/4") • 55 Bar Rated (1 1/2 - 2")
-25°C to +200°C • PTFE Seals • Locking Lever

	1/4"	3/8"	1/2"	3/4"	1"	1 1/4"	1 1/2"	2"
F	40	45	56	59	71	76	85	99



ART 902

2 Piece Stainless Steel Ball Valve BSP Taper F/F Ends (ISO 7/1)

Full Bore • 82 Bar Rated (1/4 - 1") • 69 Bar Rated (1 1/4 - 1 1/2")
62 Bar Rated (2 - 3") • -25°C to +200°C • PTFE Seals • Locking Lever

	1/4"	3/8"	1/2"	3/4"	1"	1 1/4"	1 1/2"	2"	2 1/2"	3"
F	49	49	57	64	77	90	105	125	153	172

Tee handles available for 1/4", 3/8" & 1/2"



ART 902P

2 Piece Stainless Steel Ball Valve BSP Parallel F/F Ends (ISO 7/1)

Full Bore • 82 Bar Rated (1/4 - 1") • 69 Bar Rated (1 1/4 - 1 1/2")
62 Bar Rated (2") • -25°C to +200°C • PTFE Seals • Locking Lever

	1/4"	3/8"	1/2"	3/4"	1"	1 1/4"	1 1/2"	2"
F	49	49	57	64	77	90	105	125

Tee handles available for 1/4", 3/8" & 1/2"



ART 902NPT

2 Piece Stainless Steel Ball Valve NPT F/F Ends (ANSI B 1.20.1)

Full Bore • 82 Bar Rated (1/4 - 1") • 69 Bar Rated (1 1/4 - 1 1/2")
62 Bar Rated (2") • -25°C to +200°C • PTFE Seals • Locking Lever

	1/4"	3/8"	1/2"	3/4"	1"	1 1/4"	1 1/2"	2"
F	49	49	57	64	77	90	105	125

Tee handles available for 1/4", 3/8" & 1/2"



ART 912P

2 Piece Stainless Steel Ball Valve BSP Parallel F/F Ends (ISO 7/1)

Full Bore • 140 Bar Rated • -25°C to +200°C • PTFE Seals • Locking Device

	1/4"	3/8"	1/2"	3/4"	1"	1 1/4"	1 1/2"	2"
F	49	49	58	65	77	90	105	125

Tel: 01626 201092

Stainless Steel Valves

NEW



ART 922P

2 Piece Stainless Steel Ball Valve BSP Parallel F/F Ends (ISO 228/1)

Full Bore • 140 Bar Rated • -25°C to +200°C • PTFE Seals • Locking Lever

	1/4"	3/8"	1/2"	3/4"	1"	1 1/4"	1 1/2"	2"
F	49	49	58	65	77	90	105	125



ART 912NPT

2 Piece Stainless Steel Ball Valve NPT F/F Ends (ANSI B 1.20.1)

Full Bore • 140 Bar Rated • -25°C to +200°C • PTFE Seals • Locking Lever

	1/4"	3/8"	1/2"	3/4"	1"	1 1/4"	1 1/2"	2"
F	49	49	58	65	77	90	105	125



ART 903

3 Piece Stainless Steel Ball Valve BSP Taper F/F Ends (ISO 7/1)

Full Bore • 82 Bar Rated (1/4 - 1") • 69 Bar Rated (1 1/4 - 1 1/2")
62 Bar Rated (2 - 3") • -25°C to +200°C • PTFE Seals • Locking Lever

	1/4"	3/8"	1/2"	3/4"	1"	1 1/4"	1 1/2"	2"	2 1/2"	3"
F	50	60	75	80	90	110	120	140	185	205



ART 903 SW

3 Piece Stainless Steel Ball Valve Socket Weld Ends

Full Bore • 82 Bar Rated (1/4 - 1") • 69 Bar Rated (1 1/4 - 1 1/2")
62 Bar Rated (2 - 3") • -25°C to +200°C • PTFE Seals • Locking Lever

	1/4"	3/8"	1/2"	3/4"	1"	1 1/4"	1 1/2"	2"	2 1/2"	3"
F	50	60	75	80	90	110	120	140	185	205



ART 803

3 Piece Carbon Steel Ball Valve BSP Taper F/F Ends (ISO 7/1)

Full Bore • 82 Bar Rated (1/4 - 1") • 69 Bar Rated (1 1/4 - 1 1/2")
62 Bar Rated (2 - 3") • -25°C to +200°C • PTFE Seals • Locking Lever

	1/4"	3/8"	1/2"	3/4"	1"	1 1/4"	1 1/2"	2"	2 1/2"	3"
F	50	60	75	80	90	110	120	140	185	205

Tel: 01626 201092

quotes@tipes.co.uk

Stainless Steel Valves



ART 995T

3 Piece Stainless Steel Fire Safe Ball Valve BSP Taper F/F Ends (ISO 7/1)

Full Bore • 140 Bar Rated • -25°C to +200°C • PTFE Seals • Anti Static Device
ISO Direct Mount • TUV Certified to API STD 607 • Locking Lever

	1/2"	3/4"	1"	1 1/4"	1 1/2"	2"	2 1/2"	3"	4"
F	75	80	90	110	120	140	185	205	240

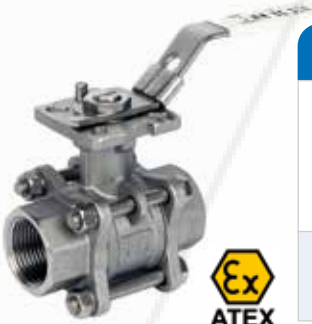


ART 995NPT

3 Piece Stainless Steel Fire Safe Ball Valve NPT F/F Ends (ANSI B 1.20.1)

Full Bore • 140 Bar Rated • -25°C to +200°C • PTFE Seals • Anti Static Device
ISO Direct Mount • TUV Certified to API STD 607 • Locking Lever

	1/2"	3/4"	1"	1 1/4"	1 1/2"	2"	2 1/2"	3"	4"
F	75	80	90	110	120	140	185	205	240



ART 993H

3 Piece Stainless Steel Ball Valve BSP Taper F/F Ends (ISO 7/1)

Full Bore • 82 Bar Rated (1/4 - 1") • 69 Bar Rated (1 1/4 - 1 1/2")
62 Bar Rated (2 - 4") • -25°C to +200°C • PTFE Seals • ISO Direct Mount
Locking Lever

	1/4"	3/8"	1/2"	3/4"	1"	1 1/4"	1 1/2"	2"	2 1/2"	3"	4"
F	50	60	75	80	90	110	120	140	185	205	240



ART 926

2 Piece Flanged PN16/40 Stainless Steel Ball Valve

Full Bore • 40 Bar Rated (1/2 - 2") • 16 Bar Rated (2 1/2 - 8") • ISO Direct Mount
-25°C to +200°C (1/2 - 4") -25°C to +180°C (5 - 8") • PTFE Seats • Viton Seals
Locking Lever

	1/2"	3/4"	1"	1 1/4"	1 1/2"	2"	2 1/2"	3"	4"	5"	6"	8"
F	115	120	125	130	140	150	170	180	190	325	350	400



ART 956

2 Piece Flanged PN16/40 Stainless Steel Fire Safe Ball Valve

Full Bore • 40 Bar Rated (1/2 - 2") • 16 Bar Rated (2 1/2 - 4") • -25°C to +200°C
PTFE Seats • Anti Static Device • ISO Direct Mount • TUV Certified to API STD 607
Locking Lever

	1/2"	3/4"	1"	1 1/4"	1 1/2"	2"	2 1/2"	3"	4"
F	115	120	125	130	140	150	170	180	190

Tel: 01626 201092

Stainless Steel Valves



ART 928

2 Piece Flanged ANSI CLASS 150 Stainless Steel Ball Valve

Full Bore • 20 Bar Rated • -25°C to +200°C • PTFE Seats • Viton Seals
ISO Direct Mount • Locking Lever

	1/2"	3/4"	1"	1 1/4"	1 1/2"	2"	2 1/2"	3"	4"
F	108	117	127	140	165	178	190	203	229



ART 958

2 Piece Flanged ANSI CLASS 150 Stainless Steel Fire Safe Ball Valve

Full Bore • 20 Bar Rated • -25°C to +200°C • PTFE Seats • Anti Static Device
ISO Direct Mount • TUV Certified to API STD 607 • Locking Lever

	1/2"	3/4"	1"	1 1/4"	1 1/2"	2"	2 1/2"	3"	4"
F	108	117	127	140	165	178	190	203	229



ART 987T

PN82 Stainless Steel 'T' Port Ball Valve BSP Taper F/F Ends (ISO 7/1)

Reduced Bore • 82 Bar Rated (1/4 - 1") • 69 Bar Rated (1 1/4 - 1 1/2")
62 Bar Rated (2 - 4") • -25°C to +200°C • PTFE/Viton Seals • ISO Direct Mount
Locking Lever

	1/4"	3/8"	1/2"	3/4"	1"	1 1/4"	1 1/2"	2"	2 1/2"	3"	4"
F	75	75	75	85	100	122	131	158	178	202	246



ART 988L

PN82 Stainless Steel 'L' Port Ball Valve BSP Taper F/F Ends (ISO 7/1)

Reduced Bore • 82 Bar Rated (1/4 - 1") • 69 Bar Rated (1 1/4 - 1 1/2")
62 Bar Rated (2 - 4") • -25°C to +200°C • PTFE/Viton Seals • ISO Direct Mount
Locking Lever

	1/4"	3/8"	1/2"	3/4"	1"	1 1/4"	1 1/2"	2"	2 1/2"	3"	4"
F	75	75	75	85	100	122	131	158	178	202	246



ART 960

Stainless Steel Gate Valve BSP Parallel F/F Ends (ISO 7/1)

16 Bar Rated • -25°C to +180°C • Full Bore

	1/4"	3/8"	1/2"	3/4"	1"	1 1/4"	1 1/2"	2"
F	55	55	55	60	65	73	76	85

Tel: 01626 201092

Stainless Steel Valves



ART 961

Stainless Steel Globe Valve BSP Parallel F/F Ends (ISO 7/1)

16 Bar Rated • -25°C to +180°C • Full Bore

	1/4"	3/8"	1/2"	3/4"	1"	1 1/4"	1 1/2"	2"
F	67	67	67	80	89	100	118	134



ART 963

Stainless Steel Disc Wafer Check Valve

16 Bar Rated • -25°C to +180°C • 'O' Ring Viton

	2"	2 1/2"	3"	4"	5"	6"	8"	10"	12"
F	14	14	14	18	18	20	22	26	30

To suit PN10, PN16 and ANSI 150 Flanges



ART 964

PN40 Stainless Steel Wafer Spring Check Valve

40 Bar Rated • -25°C to +200°C • Metal Seat

	1/2"	3/4"	1"	1 1/4"	1 1/2"	2"	2 1/2"	3"	4"
F	16	19	22	28	32	40	46	50	60

To suit PN10, PN16 and ANSI 150 and 300 Flanges



ART 965

PN16 Stainless Steel Swing Check Valve BSP Parallel F/F Ends (ISO 7/1)

16 Bar Rated • -25°C to +180°C • Metal Seat

	1/4"	3/8"	1/2"	3/4"	1"	1 1/4"	1 1/2"	2"
F	63	63	63	74	85	101	115	135



ART 966

PN82 Stainless Steel Spring Check Valve BSP Parallel F/F Ends (ISO 7/1)

82 Bar Rated (1/4 - 1") • 69 Bar Rated (1 1/4 - 1 1/2") • 62 Bar Rated (2 - 4")
-25°C to +180°C • Metal Seat

	1/4"	3/8"	1/2"	3/4"	1"	1 1/4"	1 1/2"	2"	2 1/2"	3"	4"
F	53	53	56	63	74	81	91	97	118	138	158



Tel: 01626 201092

Stainless Steel Valves



ART 968

Stainless Steel 'Y' Type Strainer BSP Parallel F/F Ends (ISO 7/1)

55 Bar Rated • -25°C to +180°C • Stainless Steel Screen 1mm

	1/4"	3/8"	1/2"	3/4"	1"	1 1/4"	1 1/2"	2"	2 1/2"	3"	4"
F	64	64	64	80	90	106	119	140	167	198	238



ART 969

Stainless Steel 'Y' Type Strainer Flanged PN16

16 Bar Rated • -25°C to +180°C • 1/2" - 2" 1mm Screen 2 1/2" - 4" 2mm Screen

	1/2"	3/4"	1"	1 1/4"	1 1/2"	2"	2 1/2"	3"	4"
F	130	150	160	180	200	230	290	310	350

Cast Iron Valves



ART 110

Ductile Iron Wafer Butterfly Valve

16 Bar Rated • -10°C to +110°C • EPDM Liner • DI Zinc Plated Disc
ISO Direct Mount

	2"	2½"	3"	4"	5"	6"	8"	10"	12"
F	41.4	44	44.6	51.4	53.8	55.1	59.5	65	75.9

Gearbox Available (We strongly advise gearbox on all 8", 10" and 12")

To suit PN10, PN16 and ANSI 150 Flanges



ART 115

Ductile Iron Wafer Butterfly Valve

16 Bar Rated • -10°C to +110°C • EPDM Liner • Stainless Steel Disc
ISO Direct Mount • WRAS Approved

	2"	2½"	3"	4"	5"	6"	8"	10"	12"
F	41.4	44	44.6	51.4	53.8	55.1	59.5	65	75.9

Gearbox Available (We strongly advise gearbox on all 8", 10" and 12")

To suit PN10, PN16 and ANSI 150 Flanges



ART 120

Ductile Iron Wafer Butterfly Valve

16 Bar Rated • -10°C to +90°C • NBR Liner • Stainless Steel Disc
ISO Direct Mount

	2"	2½"	3"	4"	5"	6"	8"	10"	12"
F	41.4	44	44.6	51.4	53.8	55.1	59.5	65	75.9

Gearbox Available (We strongly advise gearbox on all 8", 10" and 12")

To suit PN10, PN16 and ANSI 150 Flanges



ART 125

Ductile Iron Butterfly Valve Wafer Type

16 Bar Rated • -10°C to +110°C • EPDM Liner • Stainless Steel Disc
ISO Direct Mount

	2"	2½"	3"	4"	5"	6"	8"	10"	12"
F	42	44.7	45.2	52	54.4	55.8	60.6	65.6	76.9

Gearbox Available (We strongly advise gearbox on all 8", 10" and 12")

To suit PN10, PN16 and ANSI 150 Flanges



ART 135

Ductile Iron Lugged and Tapped Butterfly Valve

16 Bar Rated • -20°C to +110°C • EPDM Liner • Stainless Steel Disc
ISO Direct Mount • WRAS Approved 2" - 12" only • To suit PN16 Flanges only

	2"	2½"	3"	4"	5"	6"	8"	10"	12"	14"	16"	18"
F	41.4	44	44.6	51.4	53.8	55.1	59.5	65	75.9	78	102	114

Gearbox Available. We strongly advise gearbox on all 8", 10" and 12". 14" - 18" gearbox as standard.

Sizes 14", 16" and 18" are not WRAS approved

Cast Iron Valves



ART 140

Ductile Iron Butterfly Valve Lugged and Tapped Type

16 Bar Rated • -10°C to +110°C • EPDM Liner • Stainless Steel Disc
ISO Direct Mount • To suit PN16 Flanges only

	2"	2½"	3"	4"	5"	6"	8"	10"	12"
F	42	44.7	45.2	52	54.4	55.8	60.6	65.6	76.9

Gearbox Available (We strongly advise gearbox on all 8", 10" and 12")



ART 145

Ductile Iron Lugged and Tapped Butterfly Valve

16 Bar Rated • -10°C to +90°C • NBR Liner • DI Zinc Plated Disc
ISO Direct Mount • 8"-12" Gear Box Operated • To suit PN16 Flanges only

	2"	2½"	3"	4"	5"	6"	8"	10"	12"
F	41.4	44	44.6	51.4	53.8	55.1	59.5	65	75.9

Gearbox Available (8" - 12" Supplied c/w G/Box for dry duty)

Larger sizes available on request



ART 279

Ductile Iron PN16 Flanged Ball Valve

16 Bar Rated • -10°C to +150°C • ISO Direct Mount • Blow out proof stem
Optional Lockable Lever • Chrome Plated Brass Ball • Viton O-Ring

	½"	¾"	1"	1¼"	1½"	2"	2½"	3"	4"	5"	6"	8"
F	115	120	125	130	140	150	170	180	190	200	210	400

COMING 2020



ART 280

Ductile Iron PN16 Flanged Ball Valve

16 Bar Rated • -20°C to +150°C • ISO Direct Mount • Blow out proof stem
C/W Locking Device • Stainless Steel 304 Ball

	½"	¾"	1"	1¼"	1½"	2"	2½"	3"	4"	5"	6"	8"
F	115	120	125	130	140	150	170	180	190	200	210	400

ART 170

Cast Iron PN16 Flanged Swing Check Valve to BS EN12334 (BS 5153)

16 Bar Rated • -10°C to +230°C • Bronze Trim

	2"	2½"	3"	4"	5"	6"	8"	10"	12"
F	203	216	241	292	330	356	495	622	699

Larger sizes available on request

Tel: 01626 201092

Cast Iron Valves



ART 121

Cast Iron Dual Plate Wafer Check Valve

16 Bar Rated • -10°C to +120°C • Stainless Steel Disc • EPDM Seat

	2"	2½"	3"	4"	5"	6"	8"	10"	12"
F	43	46	64	64	70	76	89	114	114

To suit PN10, PN16 and ASA 150 Flanges
Larger sizes available on request



ART 171

Ductile Iron PN16 Ball Check Valve BSP Parallel F/F End (ISO 228/1)

16 Bar Rated • 0°C to +80°C • Epoxy Finish • NBR Seals • NBR Coated Aluminium Ball

	1"	1¼"	1½"	2"	2½"	3"
F	125	132	145	174	200	243



ART 172

Ductile Iron PN16 Flanged Ball Check Valve to BS EN12334 (BS 5153)

16 Bar Rated • 0°C to +80°C • Epoxy Finish • NBR Seals • NBR Coated Aluminium Ball

	2"	2½"	3"	4"	5"	6"	8"	10"	12"
F	200	240	260	300	350	400	500	600	700



ART 236

Ductile Iron PN16 Flanged Double Check Valve

16 Bar Rated • 0°C to +23°C • WRAS Approved

	2"	2½"	3"	4"	5"	6"	8"	10"
F	205	245	265	315	405	465	565	693



ART 185

Cast Iron PN16 Flanged 'Y' Type Strainer

16 Bar Rated • -10°C to +230°C • Stainless Steel Screen 1.5mm

	2"	2½"	3"	4"	5"	6"	8"	10"	12"
F	230	290	310	350	400	480	600	730	850

Larger sizes available on request

Tel: 01626 201092

quotes@tipes.co.uk



ART 235

Cast Iron PN16 Flanged Gate Valve to BS 5150

16 Bar Rated • -10°C to +230°C • Bronze Trim • Stainless Steel Stem

	2"	2½"	3"	4"	5"	6"	8"	10"	12"
F	178	190	203	229	254	267	292	330	356

Larger sizes available on request



ART 105

Ductile Iron PN16 Flanged Gate Valve to BS EN1171

16 Bar Rated • -10°C to +200°C • Brass Trim • Stainless Steel Stem

	2"	2½"	3"	4"	5"	6"	8"	10"	12"
F	150	170	180	190	200	210	230	250	270



ART 210

Cast Iron Table E & D Flanged Gate Valves to BS 3464

10 Bar Rated • -10°C to +180°C • Bronze Trim • Stainless Steel Stem

	2"	2½"	3"	4"	5"	6"	8"
F	146	159	165	171	190	210	241

Larger sizes available on request

NEW



ART 231

Ductile Iron PN16 Resilient Seat Gate Valve to BS 5163 Type B

16 Bar Rated • 0°C to +80°C • Handwheel, gearbox or cap top operation
WRAS Approved

	2"	2½"	3"	4"	5"	6"	8"	10"	12"
F	178	190	203	229	254	267	292	330	356

Larger sizes available on request



ART 260

Cast Iron PN16 Globe Valve to BS EN13789 (BS 5152)

16 Bar Rated • -10°C to +200°C • Bronze Trim • Stainless Steel Stem

	2"	2½"	3"	4"	5"	6"	8"	10"	12"
F	203	216	241	292	330	356	495	622	699

Hydronic Balancing & Controls



ART 22

DZR Brass Fixed Orifice Double Regulating Valve (FODRV)

25 Bar Rated • -10°C to +120°C • BSP Parallel Ends (ISO 228/1) • EPDM Seat
5 Year Guarantee

	1/2" L	1/2" ML	1/2"	3/4"	1"	1 1/4"	1 1/2"	2"
F	72.5	72.5	72.5	82	95	122	138	161



ART 23

DZR Brass Double Regulating Valve (DRV)

25 Bar Rated • -10°C to +120°C • BSP Parallel Ends (ISO 228/1) • EPDM Seat
5 Year Guarantee

	1/2" L	1/2"	3/4"	1"	1 1/4"	1 1/2"	2"
F	72.5	72.5	82	95	122	138	161



ART 25

DZR Brass Fixed Orifice Double Regulating Valve (FODRV)

25 Bar Rated • -10°C to +120°C • BSP Parallel Ends (ISO 7/1) • EPDM Seat
5 Year Guarantee

	1/2"	3/4"	1"	1 1/4"	1 1/2"	2"
F	85	97	113	144	163	193



ART 25 PRS

DZR Brass Fixed Orifice Double Regulating Valve (FODRV)

25 Bar Rated • -10°C to +120°C • 'M' Press Ends • EPDM Seat
5 Year Guarantee

	15mm	22mm	28mm	35mm	42mm	54mm
F	169	190	207	238	266	313



ART 26

DZR Brass Double Regulating Valve (DRV)

20 Bar Rated • -10°C to +120°C • BSP Parallel Ends (ISO 7/1) • EPDM Seat
5 Year Guarantee

	1/2"L	1/2"	3/4"	1"	1 1/4"	1 1/2"	2"
F	68	68	77	91	108	116	143

Tel: 01626 201092

Hydronic Balancing & Controls



ART 28

DZR Brass Variable Orifice Double Regulating Valve (VODRV)

25 Bar Rated • -10°C to +120°C • BSP Parallel Ends (ISO 7/1) • 5 Year Guarantee

	1/2"	3/4"	1"	1 1/4"	1 1/2"	2"
F	78	80	87	108	115	124



ART 250

Ductile Iron Double Regulating Valve (DRV) / (VODRV)

16 Bar Rated • -10°C to +120°C • Flanged PN16 • C/W Ext & Test Points for Variable Orifice Double Regulating Valve but not fitted

	2"	2 1/2"	3"	4"	5"	6"	8"	10"	12"
F	230	290	310	350	400	480	600	730	850



ART 255

Ductile Iron Flanged Fixed Orifice Double Regulating Valve (FODRV)

16 Bar Rated • -20°C to +120°C • Flanged PN16 • C/W Fitted Test Points and Ext loose

	2"	2 1/2"	3"	4"	5"	6"	8"	10"	12"
F	230	290	310	350	400	480	600	730	850



ART 27

DZR Brass Orifice Plate (OP)

20 Bar Rated • -10°C to +120°C • BSP Parallel (1/2") Taper (3/4 - 2") M/F Ends (ISO 7/1) • 5 Year Guarantee

	1/2"UUL	1/2"UL	1/2"L	1/2"M	1/2"	3/4"	1"	1 1/4"	1 1/2"	2"
F	67	67	67	67	67	67	64	71	71	80



ART 270

Stainless Steel Orifice Plate (OP)

16 Bar Rated • -10°C to +120°C • Wafer Pattern • C/W Ext & Test Points

	2"	2 1/2"	3"	4"	5"	6"	8"	10"	12"
F	20	20	20	20	20	20	20	20	20

Tel: 01626 201092

Hydronic Balancing & Controls



ART 29

DZR Automatic Flow Balancing Valve - Constant Flow Regulator (CFR)

25 Bar Rated • -10°C to +120°C • BSP Parallel Ends (ISO 7/1) • 5 Year Guarantee

	1/2"	3/4"	1"	1 1/4"	1 1/2"	2"
F	78	78	85	123	123	132



ART 229

Ductile Iron Automatic Flow Balancing Valve - Constant Flow Regulator (CFR)

16 Bar Rated • -20°C to +120°C • Wafer Pattern • 5 Year Guarantee

	2"	2 1/2"	3"	4"	5"	6"	8"	10"	12"
F	170	170	170	170	170	170	170	170	170



ART 31

DZR Thermostatic Balancing Valve (ISO 228/1)

10 Bar Rated (Static) • Working temp 40°C to 65°C • Fluid: Water • WRAS Approved

	1/2"	3/4"
F	70	73



ART 32

DZR Thermostatic Balancing Valve with Anti Legionella Device (ISO 7/1)

25 Bar Rated (Static) • Working temp 40°C to 60°C • Anti Legionella temp 70°C
Fluid: Water • WRAS Approved

	1/2"	3/4"	1"
F	77	80	87



ART 20C

DZR Pressure Independent Control & Balancing Valve (PICV)

25 Bar Rated • -10°C to +120°C • BSPM Parallel (ISO 228/1) • ΔP range 12.5-400 kPa
5 Year Guarantee • Union Tail Pieces & Gaskets req'd (2 per valve for BSP male connection)

DN	10	15	20	25
F	53	65	82	104
Flow (l/s)	0.012-0.097	0.024-0.134	0.042-0.250	0.076-0.447

Available control actuator types Linear, Thermoelectric & Thermostatic. 24V/230V 3 point control, 24V 0-10V modulating (see pg 29) DN 10-15 available in Low & High Flow variants

Tel: 01626 201092

Hydronic Balancing & Controls



ART 20

DZR Pressure Independent Control & Balancing Valve (PICV)

25 Bar Rated • -10°C to +120°C • BSPF Parallel (ISO 228/1) • ΔP range 14-400 kPa
• 5 Year Guarantee • Easy flush due to simple removal of DP control cartridge

DN	15	20	25	32	40	50
F	96	97	103	128	144	155
Flow (l/s)	0.022-0.479	0.036-0.566	0.064-0.566	0.129-0.849	0.562-1.974	0.612-2.385

Available control actuator types Linear & Thermoelectric. 24/230V 3 point control, 24V 0-10V modulating (see pg 29) DN 15-25 available in Low & High Flow variants



ART C21V (L) / C22V (L) / C23E (L)

Control actuator to fit PICV ART DN15-50

M30 x 1.5 Swivel knurled nut assembly • Manual Override • IP 54 rated

Art C21V (L)	24VAC 50Hz	3-Point Control
Art C22V (L)	230VAC 50Hz	3-Point Control
Art C23E (L)	24VAC 50Hz	Mod 0-10V Control



ART 20C UNION TAIL PCS

2 Piece Union & gasket to suit Art 20C valves DN10-25 • 2 required per Art 20C

DN10 - G 1/2" To pipe R3/8" BSPM	DN15 - G 3/4" To pipe R1/2" BSPM
DN20 - G 1" To pipe R3/4" BSPM	DN25 - G 1 1/4" To pipe R1" BSPM



ART 200

Cast Iron PN16 Flanged Pressure Independent Control & Balancing Valve (PICV or PIBCV)

16 Bar Rated • -10°C to +120°C • ΔP range 30-400 kPa
0-10V Modulating Actuator

DN	65	80	100	125	150
F	290	310	350	400	480
Flow (l/s)	1.222-7.222	1.306-10	3.167-22.917	3.639-34.722	5.278-44.444



ART 24

DZR Differential Pressure Control Valve (DPCV)

16 Bar Rated • -10°C to +120°C • BSP Parallel Ends (ISO 228/1) • Max ΔP 400 kPa
5 Year Guarantee

DN	15	20	25	32	40	50
F	96	97	103	128	144	155
Flow (l/s)	0.014-0.333	0.333-0.566	0.416-1.167	0.833-1.389	1.111-2.222	1.389-4.167
ΔP vers (kPa)	5-30,20-60	20-60	20-60	20-80	20-80	20-80

Matching Partner Valve **ART 28DP**, available in Low/High ΔP variants

Tel: 01626 201092

Hydronic Balancing & Controls



ART 28DP

DZR Differential Pressure Control Partner Balancing Valve (VODRV)

25 Bar Rated • -10°C to +120°C • BSP Parallel Ends (ISO 7/1) • C/W Imp Tube Connection & Test Points • 5 Year Guarantee

DN	15	20	25	32	40	50
F	77	80	87	108	115	124

Partner Valve for **ART 24** both in Low/High ΔP variants



ART 24IT1M, 24IT2M

Copper Impulse capillary tube for Differential Pressure Control Valves ART 24
ART 24IT available in 1 or 2m length, G 1/8" Thread incl. 2 x ART 24VF



ART 241IT Kit

Copper Impulse capillary tube for Differential Pressure Control Valves
Art 240 & Art 241

1/4" MFF fitting, Binder Test Point & 4mm 2m length copper tube
+ compression fittings



ART 241

Cast Iron PN16 Flanged Differential Pressure Control Valve (DPCV)

16 Bar Rated • -10°C to +120°C • Max ΔP 400 kPa

DN	65	80	100	125	150
F	290	310	350	400	480
Flow (l/s)	0.278-20.83	0.333-27.78	0.416-41.67	0.833-47.22	1.111-63.89
ΔP vers (kPa)	20-160	20-160	20-160	20-80	20-80

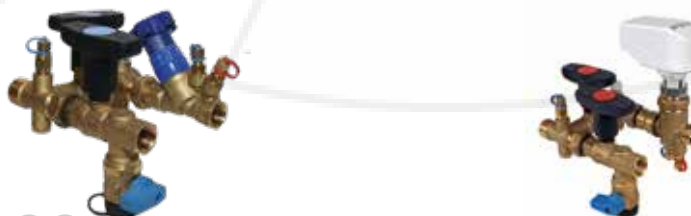
DPCV performs flow measuring and isolation function so no additional partner valve required.

1 x capillary tube kit required code ADPC241KIT

MONOLINK

DZR Terminal Unit connection system

25 Bar Rated • -10°C to +120°C • 40mm and 100mm centres • DN15, 20, 25, 32 & 40 • Factory preassembled and tested • Flexible configuration 'H' piece • Flush & Chemical Cleaning in accordance with BSRIA/CIBSE guidance • 5 Year Guarantee
Contact the sales office for thread standards.



Tel: 01626 201092

Hydronic Balancing & Controls



CRM

Brass 3 Port Rotary Mixing/Diverting Control Valve

10 Bar Rated • -10°C to +110°C • BSP Parallel (ISO 7/1) • DN15-50 fast CLIP system installation

DN	15	20	25	32	40	50
F	72	72	82	94	106	120
Kvs	3	7	11	15	25	40

CRV/CRE control actuator required



CLRM

3 Port Flanged Rotary Mixing Valve

6 Bar Rated • -10°C to +110°C • Manual or actuated operation
Flanged connections ISO 7005

DN	65	80	100	125	150
F	200	234	260	296	350
Kv	100	185	310	510	820

Suitable for use with CRV/CRE control actuator



CRV/CRE

Control actuator to fit CRM 15-50 / CLRM 65-150

Max Torque 15Nm • IP44 • Manual Control with position indication on cover
DN15-50 fast CLIP system installation

CRV 230	230VAC 50Hz	3-Point	2 x Auxillary end switches
CRV 24	24VAC 50Hz	3-Point	2 x Auxillary end switches
CRE 24	24VAC 50Hz	Mod 0-10V	0-10V feedback signal



CRV/CRE Adaptor Kit

AK41 Actuator mounting kit for Esbe, Danfoss, Siemens & Honeywell Valves
AK21 ISO Mounting kit for ball valves 1/2" - 2"
AK87 CRV/CRE Adaptor kit to suit CLRM
Adaptor kits for alternative manufacturers available



LAGGING & ISOLATION BOXES

Available for ART 25, ART 28, ART 32, MONOLINK etc



ART 299

Spare Test Point Set of two, one red tab, one blue tab

20 Bar Rated • -10°C to +120°C

ART 298

Spare Extensions • Stainless Steel • 20 Bar Rated • -10°C to +120°C

Pressure Control Valves



ART 642

Gunmetal Safety Valve BSPP Female (ISO 228/1)

16 Bar Rated • -50°C to +195°C • EPDM Diaphragm • WRAS Approved

	1/2"	3/4"	1"	1 1/4"	1 1/2"	2"	2 1/2"
F	35	42	45	47	58	68	80



ART 645

Gunmetal High Discharge Safety Valve BSPP Female (ISO 228/1)

16 Bar Rated • -50°C to +195°C • EPDM Diaphragm • WRAS Approved

	1/2"	3/4"	1"	1 1/4"	1 1/2"	2"
F	36	43	47	58	68	80



ART 642 FL

Gunmetal Safety Valve DIN Flange PN16 BSPP Female (ISO 228/1)

16 Bar Rated • -50°C to +195°C • EPDM Diaphragm • WRAS Approved

	1"	1 1/4"	1 1/2"	2"	2 1/2"
F	45	47	58	68	80

This product is subject to a lead time.



ART 645 FL

Gunmetal Safety Valve DIN Flange PN16 BSPP Female (ISO 228/1)

16 Bar Rated • -50°C to +195°C • EPDM Diaphragm • WRAS Approved

	1"	1 1/4"	1 1/2"	2"
F	47	58	68	80

This product is subject to a lead time.



ART 810

Brass Atmospheric Discharge Safety Valve BSPP Male (ISO 228/1)

50 Bar Rated • -60°C to +225°C • PTFE Seal • PED 2014/68/EU

	1/4"	3/8"	1/2"	3/4"	1"
F	8	10	15	20	25

This product is subject to a lead time.

Tel: 01626 201092

Pressure Control Valves



ART 451

Stainless Steel Safety Valve BSPP Female (ISO 228/1)

70 Bar Rated • -60°C to +225°C • PTFE Seal • PED 2014/68/EU

	1/2"	3/4"	1"	1 1/4"	1 1/2"	2"
F	40	43	50	61	61	61

This product is subject to a lead time.



ART 452

Stainless Steel Safety Valve BSPP Male x Female (ISO 228/1)

25 Bar Rated • -60°C to +225°C • PTFE Seal • PED 2014/68/EU

	3/8"	1/2"	3/4"	1"
F	30	36	43	47

This product is subject to a lead time.



ART 617

Gunmetal Pressure Relief Valve BSPP Female (ISO 228/1)

20 Bar Rated • -60°C to +225°C • PTFE Seal

	3/8"	1/2"	3/4"	1"	1 1/4"	1 1/2"	2"
F	27	30	33	40	45	50	60

This product is subject to a lead time.



ART 622

Brass Adjustable Pressure Relief Valve BSPP Female (ISO 228/1)

0.5 - 10 Bar Rated • 10 - 16 Bar available on request • 0°C to +150°C
Screwed BSP Parallel

	1/2"	3/4"	1"	1 1/4"	1 1/2"	2"	2 1/2"	3"
F	56	64	76	90	100	124	135	145



ART 417

Stainless Steel Pressure Relief Valve BSPP Female (ISO 228/1)

20 Bar Rated • -60°C to +225°C • PTFE Seal

	3/8"	1/2"	3/4"	1"	1 1/4"	1 1/2"	2"
F	30	34	40	46	50	61	67

This product is subject to a lead time.

Pressure Control Valves



ART 681F

Gunmetal Pressure Reducing Valve BSPP F/F Ends (ISO 228/1)

40 Bar Rated • -10°C to +95°C • Outlet Pressure 1 to 8 (Pre-set at 3 Bar)
Optional Pressure Gauge • WRAS Approved • PED 2014/68/EU
BS EN 1567:1999 approved

	1/2"	3/4"	1"
F	85	95	105



ART 681M

Gunmetal Pressure Reducing Valve BSP Taper M/M Ends (ISO 7/1)

40 Bar Rated • -10°C to +95°C • Outlet Pressure 1 to 8 Bar (Pre-set at 3 Bar)
Union Tail Pcs included • Optional Pressure Gauge • WRAS Approved
PED 2014/68/EU • BS EN 1567:1999 approved

	1/2"	3/4"	1"	1 1/4"	1 1/2"	2"
F	80	90	100	105	130	140



ART 670F

DZR Brass Pressure Reducing Valve with gauge F/F Ends (ISO 228/1)

16 Bar Rated (Static) • Adjustable pressure range 0.5 - 6 Bar • Max inlet temp 80°C
Conforms to BS EN 1567 • WRAS Approved

	1/2"	3/4"
F	75	78



ART 670M

DZR Brass Pressure Reducing Valve with gauge M/M Ends (ISO 228/1)

16 Bar Rated (Static) • Adjustable pressure range 0.5 - 6 Bar • Max inlet temp 80°C
Conforms to BS EN 1567 • WRAS Approved

	1"	1 1/4"	1 1/2"	2"
F	199	217	236	269



ART 481F

Stainless Steel Pressure Reducing Valve BSPP F/F Ends (ISO 228/1)

40 Bar Rated • -10°C to +95°C • EPDM Seal • Outlet Pressure 1 to 8

	1/2"	3/4"	1"
F	85	95	105

This product is subject to a lead time.



Tel: 01246 201092

Pressure Control Valves



ART 481M

Stainless Steel Pressure Reducing Valve BSP Taper M/M Ends (ISO 7/1)

40 Bar Rated • -10°C to +95°C • EPDM Seal • Outlet Pressure 1 to 8

	1/2"	3/4"	1"	1 1/4"	1 1/2"	2"
F	142	158	180	193	226	252

This product is subject to a lead time.



ART 33

TMV3 Thermostatic Mixing Valve Compression Ends (BS EN1254-2)

Max Pressure (Static) 10 Bar • Max Pressure (Dynamic) 5 Bar • 30°C to 48°C
Min flow rate 5 litres / min • WRAS Approved • Certified to TMV2 & TMV3

	15	22
F	130.7	154.7



ART 33SV

TMV3 Thermostatic Mixing Valve Compression Ends. Complete with Isolation Valves

Max Pressure (Static) 10 Bar • Max Pressure (Dynamic) 5 Bar • 30°C to 48°C
Min flow rate 5 litres / min • WRAS Approved • Certified to TMV2 & TMV3

	15	22
F	200	201



quotes@tipes.co.uk

Plastic Valves



1530A

ABS Industrial Double Union Ball Valve Solvent Weld Ends

15 Bar Rated (1/2" to 2") • 9 Bar Rated (2 1/2" to 4")
-20°C to +80°C • EPDM Seals

	1/2"	3/4"	1"	1 1/4"	1 1/2"	2"	2 1/2"	3"	4"
F	78	90	104	120	140	169	227	242	282



BVI 13 PVC

PVC Industrial Double Union Ball Valve Solvent Weld Ends

16 Bar Rated (1/2" to 2") • 10 Bar Rated (2 1/2" to 4")
0°C to +60°C • EPDM Seals (BVI 13)

	1/2"	3/4"	1"	1 1/4"	1 1/2"	2"	2 1/2"	3"	4"
F	102	120	128	147	163	197	214	241	281

Available actuated on request



1513P

PVC Economy Double Union Ball Valves Solvent Weld Ends

16 Bar Rated (1/2" to 2") • 10 Bar Rated (2 1/2" to 4")
0°C to +60°C • EPDM Seals

	1/2"	3/4"	1"	1 1/4"	1 1/2"	2"	2 1/2"	3"	4"
F	78	90	104	120	140	169	227	242	282



CVD 13 ABS

ABS Double Union Spring Check Valves Solvent Weld Ends

15 Bar Rated • 0°C to +60°C • EPDM Seals

	1/2"	3/4"	1"	1 1/4"	1 1/2"	2"
F	80	91	102	120	140	169



CVD 13 PVC

PVC Double Union Spring Check Valves Solvent Weld Ends

16 Bar Rated • 0°C to +60°C • EPDM Seals

	1/2"	3/4"	1"	1 1/4"	1 1/2"	2"
F	80	91	102	120	140	169

Tel: 01626 201092



BVL 11/13 & BVT 11/13

PVC 3 Way Ball Valves

10 Bar Rated • 0°C to +60°C • EPDM Seals

BVL 13 'L' Port, Solvent Weld End

BVL 11 'L' Port, BSPP Ends

BVT 13 'T' Port, Solvent Weld End

BVT 11 'T' Port, BSPP Ends

	1/2"	3/4"	1"	1 1/4"	1 1/2"	2"
F	112	123	147	169	209	230

Available actuated on request



CVW 50

PVC Wafer Plate Check Valves

10 Bar Rated • 0°C to +60°C • EPDM Seals

	1 1/4"	1 1/2"	2"	2 1/2"	3"	4"	5"	6"	8"	10"	12"
F	15	16	20	20	20	22	22	26	35	40	45



DVD 13/33

PVC Diaphragm Valve Double Union Solvent Weld Ends

10 Bar Rated • 0°C to +60°C • EPDM Diaphragm (DVD 13) • FPM (Viton) Diaphragm (DVD 33)

	1/2"	3/4"	1"	1 1/4"	1 1/2"	2"
F	156	168	184	205	228	245



BFY 50/53

PVC Wafer Butterfly Valve

10 Bar Rated (2" to 5") 6 Bar Rated (6" to 10") • 0°C to +60°C • EPDM Seals (BFY 50) • FPM (Viton) Seals (BFY 53)

	2"	2 1/2"	3"	4"	5"	6"	8"	10"
F	44	52.5	52.5	53	66.5	67	74.5	109

Available actuated on request

Solenoid Valves



SLP N/C (EPDM)

Brass Solenoid Valve Pilot Operated 2/2 way Normally Closed (ISO 228/1)

Body Brass • EPDM Diaphragm • Voltage 24V ac/dc, 110v ac, 230v ac, 12v dc
0°C to +120°C • WRAS Approved

	3/8"	1/2"	3/4"	1"	1 1/4"	1 1/2"	2"
F	66	66	75	96	131	131	165



SLP N/O (EPDM)

Brass Solenoid Valve Pilot Operated 2/2 way Normally Open (ISO 228/1)

Body Brass • EPDM Diaphragm • Voltage 24V ac/dc, 110v ac, 230v ac, 12v dc
0°C to +120°C • WRAS Approved

	3/8"	1/2"	3/4"	1"	1 1/4"	1 1/2"	2"
F	66	66	75	96	131	131	165



SLP N/C (NBR)

Brass Solenoid Valve Pilot Operated 2/2 way Normally Closed (ISO 228/1)

Body Brass • NBR Diaphragm • Voltage 24V ac/dc, 110v ac, 230v ac, 12v dc
0°C to +80°C

	3/8"	1/2"	3/4"	1"	1 1/4"	1 1/2"	2"
F	66	66	75	96	131	131	165



SLP N/O (NBR)

Brass Solenoid Valve Pilot Operated 2/2 way Normally Open (ISO 228/1)

Body Brass • NBR Diaphragm • Voltage 24V ac/dc, 110v ac, 230v ac, 12v dc
0°C to +80°C

	3/8"	1/2"	3/4"	1"	1 1/4"	1 1/2"	2"
F	66	66	75	96	131	131	165



ZS N/C (EPDM)

Brass Solenoid Valve Servo-activated 2/2 way Normally Closed (ISO 228/1)

Body Brass • EPDM Diaphragm • Voltage 24V ac/dc, 110v ac, 230v ac, 12v dc
0°C to +120°C

	1/4"	3/8"	1/2"	3/4"	1"	1 1/4"	1 1/2"	2"
F	50	50	50	73	99	112	123	168

Tel: 01626 201092

Solenoid Valves



ZS N/O (EPDM)

Brass Solenoid Valve Servo-activated 2/2 way Normally Open (ISO 228/1)

Body Brass • EPDM Diaphragm • Voltage 24V ac/dc, 110v ac, 230v ac, 12v dc
0°C to +120°C

	3/8"	1/2"	3/4"	1"	1 1/4"	1 1/2"	2"
F	69	69	73	99	112	123	168



ZS N/C (NBR)

Brass Solenoid Valve Servo-activated 2/2 way Normally Closed (ISO 228/1)

Body Brass • NBR Diaphragm • Voltage 24V ac/dc, 110v ac, 230v ac, 12v dc
0°C to +80°C

	1/4"	3/8"	1/2"	3/4"	1"	1 1/4"	1 1/2"	2"
F	50	50	50	73	99	112	123	168



ZS N/O (NBR)

Brass Solenoid Valve Servo-activated 2/2 way Normally Open (ISO 228/1)

Body Brass • NBR Diaphragm • Voltage 24V ac/dc, 110v ac, 230v ac, 12v dc
0°C to +80°C

	3/8"	1/2"	3/4"	1"	1 1/4"	1 1/2"	2"
F	69	69	73	99	112	123	168



ZS N/C (FPM)

Brass Solenoid Valve Servo-activated 2/2 way Normally Closed (ISO 228/1)

Body Brass • FPM Diaphragm • Voltage 24V ac/dc, 110v ac, 230v ac, 12v dc
0°C to +120°C

	1/4"	3/8"	1/2"	3/4"	1"	1 1/4"	1 1/2"	2"
F	50	50	50	73	99	112	123	168



ZS N/O (FPM)

Brass Solenoid Valve Servo-activated 2/2 way Normally Open (ISO 228/1)

Body Brass • FPM Diaphragm • Voltage 24V ac/dc, 110v ac, 230v ac, 12v dc
0°C to +120°C

	3/8"	1/2"	3/4"	1"	1 1/4"	1 1/2"	2"
F	69	69	73	99	112	123	168

Tel: 01626 201092

Solenoid Valves



ZS N/C (EPDM)

Stainless Solenoid Valve Servo-activated 2/2 way Normally Closed (ISO 228/1)

Body Stainless • EPDM Diaphragm • Voltage 24V ac/dc, 110v ac, 230v ac, 12v dc
0°C to +120°C

	3/8"	1/2"	3/4"	1"	1 1/4"	1 1/2"	2"
F	69	69	73	99	112	123	168



ZS N/O (EPDM)

Stainless Solenoid Valve Servo-activated 2/2 way Normally Open (ISO 228/1)

Body Stainless • EPDM Diaphragm • Voltage 24V ac/dc, 110v ac, 230v ac, 12v dc
0°C to +120°C

	3/8"	1/2"	3/4"	1"	1 1/4"	1 1/2"	2"
F	69	69	73	99	112	123	168



ZS N/C (NBR)

Stainless Solenoid Valve Servo-activated 2/2 way Normally Closed (ISO 228/1)

Body Stainless • NBR Diaphragm • Voltage 24V ac/dc, 110v ac, 230v ac, 12v dc
0°C to +80°C

	3/8"	1/2"	3/4"	1"	1 1/4"	1 1/2"	2"
F	69	69	73	99	112	123	168



ZS N/O (NBR)

Stainless Solenoid Valve Servo-activated 2/2 way Normally Open (ISO 228/1)

Body Stainless • NBR Diaphragm • Voltage 24V ac/dc, 110v ac, 230v ac, 12v dc
0°C to +80°C

	3/8"	1/2"	3/4"	1"	1 1/4"	1 1/2"	2"
F	69	69	73	99	112	123	168



ZS N/C (FPM)

Stainless Solenoid Valve Servo-activated 2/2 way Normally Closed (ISO 228/1)

Body Stainless • FPM Diaphragm • Voltage 24V ac/dc, 110v ac, 230v ac, 12v dc
0°C to +120°C

	3/8"	1/2"	3/4"	1"	1 1/4"	1 1/2"	2"
F	69	69	73	99	112	123	168

Tel: 01626 201092

Solenoid Valves



ZS N/O (FPM)

Stainless Solenoid Valve Servo-activated 2/2 way Normally Open (ISO 228/1)

Body Stainless • FPM Diaphragm • Voltage 24V ac/dc, 110v ac, 230v ac, 12v dc
0°C to +120°C

	3/8"	1/2"	3/4"	1"	1 1/4"	1 1/2"	2"
F	69	69	73	99	112	123	168



THP N/C (PTFE)

Brass Solenoid Valve Pilot Operated 2/2 way Normally Closed (ISO 228/1)

Body Brass • PTFE Diaphragm • Voltage 24V ac/dc, 110v ac, 230v ac, 12v dc
0°C to +165°C

	3/8"	1/2"	3/4"	1"	1 1/4"	1 1/2"	2"
F	75	75	85	100	120	120	150



Namur

Universal Direct Mount Namur Solenoid

Life Cycle 12,000,000 Operations • 5/2 - 3/2 Interchangeable
Voltage 110v ac, 230v ac, 24v ac/dc • IP65 • Manual Over-ride Control
-20°C to +60°C



PUT Timer

Range 0.5 to 10 Seconds On, 30 Seconds to 45 Mins Off
LED Light to indicate timing

78 x 43 x 31

Solenoid Valves



ART GSV N/C (NBR) 1/2" - 1"

Automatic Gas Valve BSP (ISO 228/1)

Body Aluminium Alloy • Voltage 230V (-15%+10%) 50-60Hz
-20°C to +60°C • EN161 Gas Approved

	1/2"	3/4"	1"
F	72	72	72

Other Voltages available on request.



ART GSV N/C (NBR) 1 1/4" - 2"

Automatic Gas Valve BSP (ISO 228/1)

Body Aluminium Alloy • Voltage 230V (-15%+10%) 50-60Hz
-20°C to +60°C • EN161 Gas Approved

	1 1/4"	1 1/2"	2"
F	165	165	165

Other Voltages available on request.



ART GSF N/C (NBR) 2 1/2" - 4"

Automatic Gas Valve Flanged PN16

Body Aluminium Alloy • Voltage 230V (-15%+10%) 50-60Hz
-20°C to +60°C • EN161 Gas Approved

	2 1/2"	3"	4"
F	247	247	265

Other Voltages available on request.

Flexible Connectors



ART 400/410

PN16 Screwed Flexible Connector BS21 BSP Taper (ISO 7/1)

Screwed BSP Taper • 16 Bar Rated • EPDM (ART 400) • NBR (ART 410)
-20°C to +100°C EPDM • -20°C to +80°C NBR

	1/2"	3/4"	1"	1 1/4"	1 1/2"	2"	2 1/2"	3"
F	200	200	200	200	200	200	245	245



ART 420/430

PN16 Flanged Flexible Connector BS EN1092 (BS4504)

16 Bar Rated • EPDM (ART 420) • NBR (ART 430)
-20°C to +100°C EPDM • -20°C to +80°C NBR

	1 1/4"	1 1/2"	2"	2 1/2"	3"	4"	5"	6"	8"	10"	12"
F	130	130	130	130	130	130	130	130	130	130	130

Larger sizes available on request



ART 425/435

PN10 Flanged Flexible Connector BS EN1092 (BS4504)

10 Bar Rated • EPDM (ART 425) • NBR (ART 435)
-20°C to +100°C EPDM • -20°C to +80°C NBR

	8"	10"	12"
F	130	130	130



ART 427

PN6 Flanged Flexible Connector BS EN1092 (BS4504)

6 Bar Rated • -20°C to +100°C • EPDM

	1 1/4"	1 1/2"	2"	2 1/2"	3"	4"
F	130	130	130	130	130	130



ART 450/460

PN16 Tied Flanged Flexible Connector BS EN1092 (BS4504)

16 Bar Rated • EPDM (ART 450) • NBR (ART 460)
-20°C to +100°C EPDM • -20°C to +80°C NBR

	1 1/4"	1 1/2"	2"	2 1/2"	3"	4"	5"	6"	8"	10"	12"
F	130	130	130	130	130	130	130	130	130	130	130

Larger sizes available on request

Flexible Connectors



ART 455/465

PN10 Tied Flanged Flexible Connector BS EN1092 (BS4504)

10 Bar Rated • EPDM (ART 455) • NBR (ART 465)
-20°C to +100°C EPDM • -20°C to +80°C NBR

	8"	10"	12"
F	130	130	130

Larger sizes available on request



ART 1560

Straight Thermostatic Valve with operating plastic cap

Screwed BSP Parallel M/F (ISO 228/1) • Auto Seal Tail Piece • Fits all sensor options
Suitable for use with all radiators • BSP to copper adaptor available

	1/2"	3/4"
F	81	93.5

Suitable for use with all Thermostatic Head and sensor options.



ART 1560 PS

Straight Thermostatic Valve with Pre-setting & operating plastic cap

Screwed BSP Parallel M/F (ISO 228/1) • Auto Seal Tail Piece • Fits all sensor options
Suitable for use with all radiators • BSP to copper adaptor available

	1/2"	3/4"
F	81	93.5

Suitable for use with all Thermostatic Head and sensor options.
This product is subject to a lead time.



ART 1561

Angle Thermostatic Valve with operating plastic cap

Screwed BSP Parallel M/F (ISO 228/1) • Auto Seal Tail Piece • Fits all sensor options
Suitable for use with all radiators • BSP to copper adaptor available

	1/2"	3/4"
F	58.5	68.5

Suitable for use with all Thermostatic Head and sensor options.



ART 1561 PS

Angle Thermostatic Valve with Pre-setting & operating plastic cap

Screwed BSP Parallel M/F (ISO 228/1) • Auto Seal Tail Piece • Fits all sensor options
Suitable for use with all radiators • BSP to copper adaptor available

	1/2"	3/4"
F	58.5	68.5

Suitable for use with all Thermostatic Head and sensor options.
This product is subject to a lead time.



ART 1564

Reverse Angle Thermostatic Valve with operating plastic cap

Screwed BSP Parallel M/F (ISO 228/1) • Auto Seal Tail Piece • Fits all sensor options
Suitable for use with all radiators • BSP to copper adaptor available

	1/2"
F	53.5

Suitable for use with all Thermostatic Head and sensor options.

Radiator Valves



ART 1553

Angle Lockshield Radiator Valve

Screwed BSP Parallel M/F (ISO 228/1) • Auto Seal Tail Piece
Suitable for use with all radiators • BSP to Copper Adaptor available on request

	1/2"	3/4"
F	58.5	68.5



ART 1551

Straight Lockshield Radiator Valve

Screwed BSP Parallel M/F (ISO 228/1) • Auto Seal Tail Piece
Suitable for use with all radiators • BSP to Copper Adaptor available on request

	1/2"	3/4"
F	81	93.5



ART 1597

Thermostatic Head

BSP Parallel (ISO 228/1) • Lockable Head • Liquid Sensor • Frost Setting 6°C
Conforms to EN215 • M30 x 1.5 Standard Connection

76.5 x 51



ART 1504

BSP to Copper Adaptor for radiator valves



ART 1598

Remote Adjuster with frost protection

2, 5 & 10m Capillary options • Lockable & Tamperproof • Liquid Sensor
Frost Setting 6°C • M30 x 1.5 connections

Head 90 x 49, Valve connector 39 x 33

This product is subject to a lead time.

Tel: 01626 201092



ART 1599

Thermostatic Head with Remote Sensor

2m Capillary • Lockable set-point • Liquid Sensor • Frost Setting 6°C
Conforms to EN 215 • M30 x 1.5 connection

Head 77-82 x 49, Remote Sensor 96 x 35

This product is subject to a lead time.



ART 1567

Angle Radiator Valve Pack

Pack contains ART 1553, ART 1561, ART 1597 & ART 1504 x2

F	1/2"
	58.5

Actuated Valves



ART 160 EL

Brass Ball Valve BSP Parallel F/F Ends (ISO 228/1)

C/W Electric Actuator • 110v ac, 230v ac, 24v ac, 24v dc

	1/4"	3/8"	1/2"	3/4"	1"	1 1/4"	1 1/2"	2"	2 1/2"	3"
F	65	65	65	75	86	95	101	120	165	188

Other Voltages available on request.



ART 160 DA

Brass Ball Valve BSP Parallel F/F Ends (ISO 228/1)

C/W Double Acting Pneumatic Actuator

	1/4"	3/8"	1/2"	3/4"	1"	1 1/4"	1 1/2"	2"	2 1/2"	3"
F	65	65	65	75	86	95	101	120	165	188



ART 160 SR

Brass Ball Valve BSP Parallel F/F Ends (ISO 228/1)

C/W Spring Return Pneumatic Actuator

	1/4"	3/8"	1/2"	3/4"	1"	1 1/4"	1 1/2"	2"	2 1/2"	3"
F	65	65	65	75	86	95	101	120	165	188



ART 993H EL

3 Piece Stainless Steel Ball Valve BSP Taper Ends (ISO 7/1)

C/W Electric Actuator • 110v ac, 230v ac, 24v ac, 24v dc • ATEX actuator available on request

	1/4"	3/8"	1/2"	3/4"	1"	1 1/4"	1 1/2"	2"	2 1/2"	3"	4"
F	50	60	75	80	90	110	120	140	185	205	240

Other Voltages available on request.



ART 993H DA

3 Piece Stainless Steel Ball Valve BSP Taper Ends (ISO 7/1)

C/W Double Acting Pneumatic Actuator

	1/4"	3/8"	1/2"	3/4"	1"	1 1/4"	1 1/2"	2"	2 1/2"	3"	4"
F	50	60	75	80	90	110	120	140	185	205	240



Tel: 01626 201092

Actuated Valves



ART 993H SR

3 Piece Stainless Steel Ball Valve BSP Taper Ends (ISO 7/1)

C/W Spring Return Pneumatic Actuator

	1/4"	3/8"	1/2"	3/4"	1"	1 1/4"	1 1/2"	2"	2 1/2"	3"	4"
F	50	60	75	80	90	110	120	140	185	205	240



ART 88/87 EL

Brass L & T Port Ball Valve BSP Parallel F/F Ends (ISO 228/1)

C/W Electric Actuator • 110v ac, 230v ac, 24v ac, 24v dc

	1/4"	3/8"	1/2"	3/4"	1"	1 1/4"	1 1/2"	2"
F	65	65	78	87	105	118	134	161

Other Voltages available on request.



ART 88/87 DA

Brass L & T Port Ball Valve BSP Parallel F/F Ends (ISO 228/1)

C/W Double Acting Pneumatic Actuator

	1/4"	3/8"	1/2"	3/4"	1"	1 1/4"	1 1/2"	2"
F	65	65	78	87	105	118	134	161



ART 88/87 SR

Brass L & T Port Ball Valve BSP Parallel F/F Ends (ISO 228/1)

C/W Spring Return Pneumatic Actuator

	1/4"	3/8"	1/2"	3/4"	1"	1 1/4"	1 1/2"	2"
F	65	65	78	87	105	118	134	161



ART 988/987 EL

Stainless Steel L & T Port Ball Valve BSP Taper F/F Ends (ISO 7/1)

C/W Electric Actuator • 110v ac, 230v ac, 24v ac, 24v dc • ATEX actuator available on request

	1/4"	3/8"	1/2"	3/4"	1"	1 1/4"	1 1/2"	2"
F	75	75	75	85	100	122	131	158

Other Voltages available on request.

Actuated Valves



ART 988/987 DA

Stainless Steel L & T Port Ball Valve BSP Taper F/F Ends (ISO 7/1)

C/W Double Acting Pneumatic Actuator

	1/4"	3/8"	1/2"	3/4"	1"	1 1/4"	1 1/2"	2"
F	75	75	75	85	100	122	131	158



ART 988/987 SR

Stainless Steel L & T Port BSP Taper F/F Ends (ISO 7/1)

C/W Spring Return Pneumatic Actuator

	1/4"	3/8"	1/2"	3/4"	1"	1 1/4"	1 1/2"	2"
F	75	75	75	85	100	122	131	158



ART 928 EL

Stainless Steel ANSI 150 Flanged Ball Valve

C/W Electric Actuator • 110v ac, 230v ac, 24v ac, 24v dc • ATEX actuator available on request

	1/2"	3/4"	1"	1 1/4"	1 1/2"	2"	2 1/2"	3"	4"
F	108	117	127	140	165	178	191	203	229

Other Voltages available on request.



ART 928 DA

Stainless Steel ANSI 150 Flanged Ball Valve

C/W Double Acting Pneumatic Actuator

	1/2"	3/4"	1"	1 1/4"	1 1/2"	2"	2 1/2"	3"	4"
F	108	117	127	140	165	178	191	203	229



ART 928 SR

Stainless Steel ANSI 150 Flanged Ball Valve

C/W Spring Return Pneumatic Actuator

	1/2"	3/4"	1"	1 1/4"	1 1/2"	2"	2 1/2"	3"	4"
F	108	117	127	140	165	178	191	203	229

Tel: 01626 201092



ART 926 EL

Stainless Steel Flanged PN16 Ball Valve

C/W Electric Actuator • 110v ac, 230v ac, 24v ac, 24v dc • ATEX actuator available on request

	1/2"	3/4"	1"	1 1/4"	1 1/2"	2"	2 1/2"	3"	4"
F	115	120	125	130	140	150	170	180	190

Other Voltages available on request.



ART 926 DA

Stainless Steel Flanged PN16 Ball Valve

C/W Double Acting Pneumatic Actuator

	1/2"	3/4"	1"	1 1/4"	1 1/2"	2"	2 1/2"	3"	4"
F	115	120	125	130	140	150	170	180	190



ART 926 SR

Stainless Steel Flanged PN16 Ball Valve

C/W Spring Return Pneumatic Actuator

	1/2"	3/4"	1"	1 1/4"	1 1/2"	2"	2 1/2"	3"	4"
F	115	120	125	130	140	150	170	180	190



ART 956 EL

Stainless Steel 2 Piece Flanged PN16 Fire Safe Ball Valve

C/W Electric Actuator • 110v ac, 230v ac, 24v ac, 24v dc • ATEX actuator available on request

	1/2"	3/4"	1"	1 1/4"	1 1/2"	2"	2 1/2"	3"	4"
F	115	120	125	130	140	150	170	180	190

Other Voltages available on request.



ART 956 DA

Stainless Steel 2 Piece Flanged PN16 Fire Safe Ball Valve

C/W Double Acting Pneumatic Actuator

	1/2"	3/4"	1"	1 1/4"	1 1/2"	2"	2 1/2"	3"	4"
F	115	120	125	130	140	150	170	180	190

Actuated Valves



ART 956 SR

Stainless Steel 2 Piece Flanged PN16 Fire Safe Ball Valve
C/W Spring Return Pneumatic Actuator

	1/2"	3/4"	1"	1 1/4"	1 1/2"	2"	2 1/2"	3"	4"
F	115	120	125	130	140	150	170	180	190



ART 958 EL

Stainless Steel 2 Piece Flanged ANSI CLASS 150 Fire Safe Ball Valve
C/W Electric Actuator • 110v ac, 230v ac, 24v ac, 24v dc • ATEX actuator available on request

	1/2"	3/4"	1"	1 1/4"	1 1/2"	2"	2 1/2"	3"	4"
F	108	117	127	140	165	178	190	203	229

Other Voltages available on request.



ART 958 DA

Stainless Steel 2 Piece Flanged ANSI CLASS 150 Fire Safe Ball Valve
C/W Double Acting Pneumatic Actuator

	1/2"	3/4"	1"	1 1/4"	1 1/2"	2"	2 1/2"	3"	4"
F	108	117	127	140	165	178	190	203	229



ART 958 SR

Stainless Steel 2 Piece Flanged ANSI CLASS 150 Fire Safe Ball Valve
C/W Spring Return Pneumatic Actuator

	1/2"	3/4"	1"	1 1/4"	1 1/2"	2"	2 1/2"	3"	4"
F	108	117	127	140	165	178	190	203	229



ART 995T EL

Stainless Steel 3 Piece Fire Safe Ball Valve BSP Taper F/F Ends (ISO 7/1)
C/W Electric Actuator • 110v ac, 230v ac, 24v ac, 24v dc • ATEX actuator available on request

	1/2"	3/4"	1"	1 1/4"	1 1/2"	2"	2 1/2"	3"	4"
F	75	80	90	110	120	140	185	205	240

Other Voltages available on request.



ART 995T DA

Stainless Steel 3 Piece Fire Safe Ball Valve BSP Taper F/F Ends (ISO 7/1)

C/W Double Acting Pneumatic Actuator

	1/2"	3/4"	1"	1 1/4"	1 1/2"	2"	2 1/2"	3"	4"
F	75	80	90	110	120	140	185	205	240



ART 995T SR

Stainless Steel 3 Piece Fire Safe Ball Valve BSP Taper F/F Ends (ISO 7/1)

C/W Spring Return Pneumatic Actuator

	1/2"	3/4"	1"	1 1/4"	1 1/2"	2"	2 1/2"	3"	4"
F	75	80	90	110	120	140	185	205	240



ART 995NPT EL

Stainless Steel 3 Piece Fire Safe Ball Valve NPT F/F Ends (ANSI B 1.20.1)

C/W Electric Actuator • 110v ac, 230v ac, 24v ac, 24v dc • ATEX actuator available on request

	1/2"	3/4"	1"	1 1/4"	1 1/2"	2"	2 1/2"	3"	4"
F	75	80	90	110	120	140	185	205	240



Other Voltages available on request.



ART 995NPT DA

Stainless Steel 3 Piece Fire Safe Ball Valve NPT F/F Ends (ANSI B 1.20.1)

C/W Double Acting Pneumatic Actuator

	1/2"	3/4"	1"	1 1/4"	1 1/2"	2"	2 1/2"	3"	4"
F	75	80	90	110	120	140	185	205	240



ART 995NPT SR

Stainless Steel 3 Piece Fire Safe Ball Valve NPT F/F Ends (ANSI B 1.20.1)

C/W Spring Return Pneumatic Actuator

	1/2"	3/4"	1"	1 1/4"	1 1/2"	2"	2 1/2"	3"	4"
F	75	80	90	110	120	140	185	205	240



Actuated Valves



ART 279 EL

Cast Iron PN16 Flanged Ball Valve

C/W Electric Actuator • 110v ac, 230v ac, 24v ac, 24v dc

	3/4"	1"	1 1/4"	1 1/2"	2"	2 1/2"	3"	4"	5"	6"
F	120	125	130	140	150	170	180	190	200	210

Other Voltages available on request.



ART 279 DA

Cast Iron PN16 Flanged Ball Valve

C/W Double Acting Pneumatic Actuator

	3/4"	1"	1 1/4"	1 1/2"	2"	2 1/2"	3"	4"	5"	6"
F	120	125	130	140	150	170	180	190	200	210



ART 279 SR

Cast Iron PN16 Flanged Ball Valve

C/W Spring Return Pneumatic Actuator

	3/4"	1"	1 1/4"	1 1/2"	2"	2 1/2"	3"	4"	5"	6"
F	120	125	130	140	150	170	180	190	200	210



ART 115 EL

Ductile Iron Wafer Butterfly Valve

C/W Electric Actuator • 110v ac, 230v ac, 24v ac, 24v dc

Stainless Steel Disc • EPDM Liner

	2"	2 1/2"	3"	4"	5"	6"	8"	10"	12"
F	41.4	44	44.6	51.4	53.8	55.1	59.5	65	75.9

Other Voltages available on request.



ART 115 DA

Ductile Iron Wafer Butterfly Valve

C/W Double Acting Pneumatic Actuator • Stainless Steel Disc • EPDM Liner

	2"	2 1/2"	3"	4"	5"	6"	8"	10"	12"
F	41.4	44	44.6	51.4	53.8	55.1	59.5	65	75.9

Tel: 01626 201092



ART 115 SR

Ductile Iron Wafer Butterfly Valve

C/W Spring Return Pneumatic Actuator • Stainless Steel Disc • EPDM Liner

	2"	2½"	3"	4"	5"	6"	8"	10"	12"
F	41.4	44	44.6	51.4	53.8	55.1	59.5	65	75.9



ART 145 EL

Ductile Iron Lugged and Tapped Butterfly Valve

C/W Electric Actuator • 110v ac, 230v ac, 24v ac, 24v dc

DI Zinc Plated Disc • NBR Liner

	2"	2½"	3"	4"	5"	6"	8"	10"	12"
F	41.4	44	44.6	51.4	53.8	55.1	59.5	65	75.9

Other Voltages available on request.



ART 145 DA

Ductile Iron Lugged and Tapped Butterfly Valve

C/W Double Acting Pneumatic Actuator • DI Zinc Plated Disc • NBR Liner

	2"	2½"	3"	4"	5"	6"	8"	10"	12"
F	41.4	44	44.6	51.4	53.8	55.1	59.5	65	75.9



ART 145 SR

Ductile Iron Lugged and Tapped Butterfly Valve

C/W Spring Return Pneumatic Actuator • DI Zinc Plated Disc • NBR Liner

	2"	2½"	3"	4"	5"	6"	8"	10"	12"
F	41.4	44	44.6	51.4	53.8	55.1	59.5	65	75.9



ART 135 EL

Ductile Iron Lugged and Tapped Butterfly Valve

C/W Electric Actuator • 110v ac, 230v ac, 24v ac, 24v dc

Stainless Steel Disc • EPDM Liner • WRAS Approved 2" - 12" only

	2"	2½"	3"	4"	5"	6"	8"	10"	12"	14"	16"	18"
F	41.4	44	44.6	51.4	53.8	55.1	59.5	65	75.9	78	102	114

Other Voltages available on request.

Actuated Valves



ART 135 DA

Ductile Iron Lugged and Tapped Butterfly Valve

C/W Double Acting Pneumatic Actuator • Stainless Steel Disc • EPDM Liner
WRAS Approved 2" - 12" only

	2"	2½"	3"	4"	5"	6"	8"	10"	12"	14"	16"	18"
F	41.4	44	44.6	51.4	53.8	55.1	59.5	65	75.9	78	102	114



ART 135 SR

Ductile Iron Lugged and Tapped Butterfly Valve

C/W Spring Return Pneumatic Actuator • Stainless Steel Disc • EPDM Liner
WRAS Approved 2" - 12" only

	2"	2½"	3"	4"	5"	6"	8"	10"	12"	14"	16"	18"
F	41.4	44	44.6	51.4	53.8	55.1	59.5	65	75.9	78	102	114



Namur

Universal Direct Mount Namur Solenoid

Life Cycle 12,000,000 Operations • 5/2 - 3/2 Interchangeable
Voltage 110v ac, 230v ac, 24v ac/dc • IP65 • Manual Over-ride Control
-20°C to +60°C



ART SB

Switch Box

C/W 2 x V3 Micro Switches

Pressure and Temperature

Pressure and Temperature information shown in this Product Catalogue is for guidance only. Pressures stated are generally based on the smaller sizes of each product and may reduce significantly for the larger sizes.

It is also a fundamental principle of valves and pipe work systems that if the temperature is increased then the pressure must be reduced. For exact pressure/temperature relationships we recommend that you check our product data sheets or consult our sales office. Although many of our valves are suitable for use at temperatures below freezing, it is necessary to take precautions to prevent the line fluid freezing and causing subsequent damage to the valve and pipe work system.

Options

Many of our valves can be supplied with alternative threads and flange drillings. We can also offer a wide range of paint options and coatings for non standard requirements and special applications.

We hold stock of standard products with the handle options shown in the Product Catalogue, we can however supply valves with different colour handles, Tee handles, stem extensions, and hand wheels, etc. We are also happy to quote for supply of specials to your exact requirements. Our standard range of actuated valves can also be fitted with extra limit switches, proximity switches, positioners, non standard solenoid valves, and manual over rides. If you require an actuator from a specific manufacturer we can usually provide a competitive quotation. If you have any unusual or non standard requirement please do not hesitate to contact our sales office.

Approvals and Certification

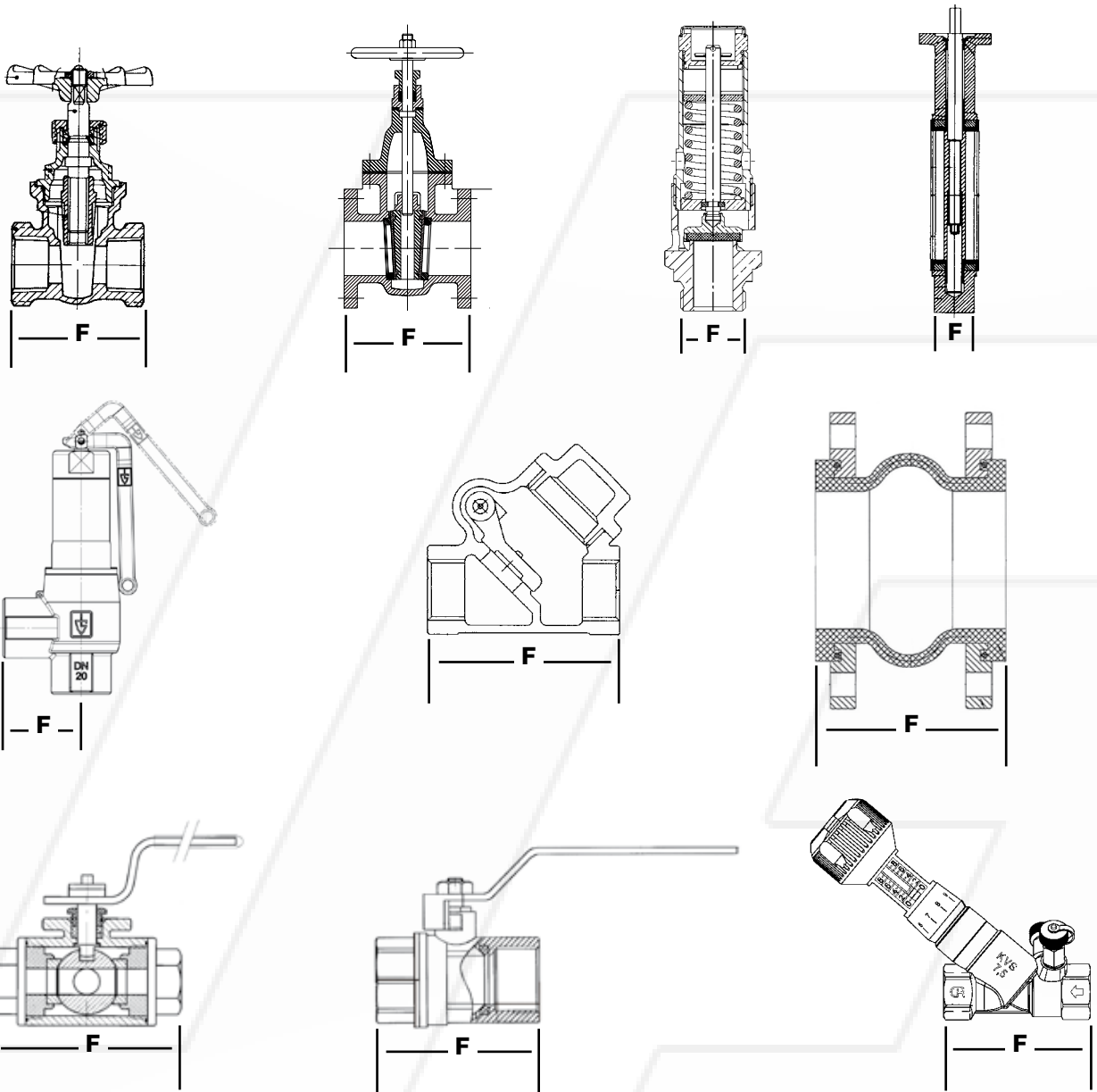
All applicable products conform to the Pressure Equipment Directive (PED) and where necessary are CE marked. Certain products also have specific approvals - EN331 approval for gas and WRAS approval for potable water. These items are indicated in the Product Catalogue. Many products also have other national approvals (ie DVGW, AGA, KIWA), please enquire if a specific approval is required. Test Certificates or Letters of Conformity are generally available for all products, please advise your requirements when placing orders.

Disclaimer

The information within this Product Catalogue was correct and accurate at the time of printing, this is subject to change without notice, which may impact the accuracy of the information. Photographs are for illustration purposes only and may differ from the product received.

Technical Information

'F' is the dimension as illustrated on the drawings below.



Example:



ART 40P

2 Piece Brass Ball Valve BSP Parallel F/F Ends

Full Bore • 40 Bar Rated (1/4 - 2") • 25 Bar Rated (2 1/2 - 4") • -20°C to +140°C

	1/4"	3/8"	1/2"	3/4"	1"	1 1/4"	1 1/2"	2"	2 1/2"	3"	4"
F	45	45	57	67	77	88	99	121	146	168	199

Handle options: Tee Handle - Yellow, Red + Blue
Lever - Yellow, Red + Blue

Tel: 01626 201092

Technical Information

BS 4504 Flange Table

		PN6				PN10				PN16				PN25				PN40			
		DRILLING				DRILLING				DRILLING				DRILLING				DRILLING			
DN	NB	Flange OD	P.C.D.	No. of Holes	Hole Dia.	Flange OD	P.C.D.	No. of Holes	Hole Dia.	Flange OD	P.C.D.	No. of Holes	Hole Dia.	Flange OD	P.C.D.	No. of Holes	Hole Dia.	Flange OD	P.C.D.	No. of Holes	Hole Dia.
10	3/8"	75	50	4	11	90	60	4	14	90	60	4	14	90	60	4	14	90	60	4	14
15	1/2"	80	55	4	11	95	65	4	14	95	65	4	14	95	65	4	14	95	65	4	14
20	3/4"	90	65	4	11	105	75	4	14	105	75	4	14	105	75	4	14	105	75	4	14
25	1"	100	75	4	11	115	85	4	14	115	85	4	14	115	85	4	14	115	85	4	14
32	1 1/4"	120	80	4	14	140	100	4	18	140	100	4	18	140	100	4	18	140	100	4	18
40	1 1/2"	130	100	4	14	150	110	4	18	150	110	4	18	150	110	4	18	150	110	4	18
50	2"	140	110	4	14	165	125	4	18	165	125	4	18	165	125	4	18	165	125	4	18
65	2 1/2"	160	130	4	14	185	145	4	18	185	145	4	18	185	145	8	18	185	145	8	18
80	3"	190	150	4	18	200	160	4	18	200	160	8	18	200	160	8	18	200	160	8	18
100	4"	210	170	4	18	220	180	8	18	220	180	8	18	235	190	8	18	235	190	8	22
125	5"	240	200	8	18	250	210	8	18	250	210	8	18	270	220	8	26	270	220	8	26
150	6"	265	225	8	18	285	240	8	22	285	240	8	22	300	250	8	26	300	250	8	26
200	8"	320	280	8	18	340	295	8	22	340	295	12	22	360	310	12	26	375	320	12	30
250	10"	375	335	12	18	395	350	12	22	405	355	12	26	425	370	12	30	450	385	12	33
300	12"	440	395	12	22	445	400	12	22	460	410	12	26	485	430	16	30	515	450	16	33
350	14"	490	445	12	22	505	460	16	22	520	470	16	26	555	490	16	33	580	510	16	36
400	16"	540	495	16	22	565	515	16	26	580	525	16	30	620	550	16	36	660	585	16	39
450	18"	595	550	16	22	615	565	20	26	640	585	20	30								
500	20"	645	600	20	22	670	620	20	26	715	650	20	30	730	660	20	36	755	670	20	42
600	24"	755	705	20	26	780	725	20	30	840	770	20	36	845	770	20	39	890	795	10	48

BS 10 Flange Table

		D				E				F				H							
		DRILLING				DRILLING				DRILLING				DRILLING							
DN	NB	Flange OD	Thickness	P.C.D.	No. of Holes	Hole Dia.	Flange OD	Thickness	P.C.D.	No. of Holes	Hole Dia.	Flange OD	Thickness	P.C.D.	No. of Holes	Hole Dia.	Flange OD	Thickness	P.C.D.	No. of Holes	Hole Dia.
15	1/2"	95	10	67	4	14	95	10	67	4	14	95	10	67	4	14	114	13	83	4	17
20	3/4"	102	10	73	4	14	102	10	73	4	14	102	10	73	4	14	114	13	83	4	17
25	1"	114	10	83	4	14	114	10	83	4	14	121	10	87	4	17	121	14	87	4	17
32	1 1/4"	121	13	87	4	14	121	13	87	4	14	133	13	98	4	17	133	17	98	4	17
40	1 1/2"	133	13	98	4	14	133	13	98	4	14	140	13	105	4	17	140	17	105	4	17
50	2"	152	14	144	4	17	152	14	144	4	17	165	16	127	4	17	165	19	127	4	17
65	2 1/2"	165	14	127	4	17	165	14	127	4	17	184	16	146	8	17	184	19	146	8	17
80	3"	184	14	146	4	17	184	14	146	4	17	203	16	165	8	17	203	22	165	8	17
100	4"	216	17	178	4	17	216	17	178	8	17	229	17	191	8	17	229	25	191	8	17
125	5"	254	17	210	8	17	254	17	210	8	17	279	22	235	8	22	279	29	235	8	22
150	6"	279	17	235	8	17	279	17	235	8	22	305	22	260	12	22	305	29	260	12	22
200	8"	337	19	292	8	17	337	19	292	8	22	368	25	324	12	22	368	32	324	12	22
250	10"	406	19	356	8	19	406	22	356	12	22	432	25	381	12	25	432	35	381	12	25
300	12"	457	22	406	12	22	457	25	406	12	25	489	29	438	16	25	489	38	438	16	25
350	14"	527	25	470	12	25	527	25	470	12	25	552	32	495	16	29	552	41	495	16	29
400	16"	578	25	521	12	25	578	25	521	12	25	610	32	552	20	29	610	44	552	20	29
450	18"	641	29	584	12	25	641	29	584	16	25	673	35	610	20	32	673	48	610	20	32
500	20"	705	32	641	16	25	705	32	641	16	25	737	38	673	24	32	737	51	673	24	32
600	24"	826	35	756	16	29	826	38	756	16	32	851	41	781	24	35	851	57	781	24	35

ASA Flange Table

		CLASS 150				CLASS 300				CLASS 600				CLASS 900			
		DRILLING				DRILLING				DRILLING				DRILLING			
DN	NB	Flange OD	P.C.D.	No. of Holes	Hole Dia.	Flange OD	P.C.D.	No. of Holes	Hole Dia.	Flange OD	P.C.D.	No. of Holes	Hole Dia.	Flange OD	P.C.D.	No. of Holes	Hole Dia.
15	1/2"	88.9	60.5	4	16	95.3	66.7	4	16	95.3	66.5	4	16	120.7	82.5	4	22
20	3/4"	98.5	69.9	4	16	117.3	82.5	4	19	117.3	82.5	4	19	130.0	88.9	4	22
25	1"	108.0	79.3	4	16	124.0	89.0	4	19	124.0	88.9	4	19	149.4	101.6	4	35
32	1 1/4"	117.3	88.9	4	16	133.4	98.5	4	19	133.4	98.5	4	19	158.8	111.2	4	25
40	1 1/2"	127.0	98.5	4	16	155.5	114.3	4	22	155.5	114.3	4	22	177.8	124.0	4	29
50	2"	152.4	120.7	4	19	165.1	127.0	8	19	165.1	127.0	8	19	215.9	165.1	8	25
65	2 1/2"	177.8	139.7	4	19	190.5	149.2	8	22	190.5	149.3	8	22	244.4	190.5	8	29
80	3"	190.5	152.4	4	19	209.5	168.5	8	22	209.5	168.2	8	22	241.3	190.5	8	25
100	4"	228.6	190.5	8	19	254.0	200.0	8	22	254.0	215.9	8	25	292.1	235.0	8	32
125	5"	254.0	215.9	8	22	279.4	235.0	8	22	279.4	226.7	8	29	249.2	279.4	8	35
150	6"	279.4	241.3	8	22	317.5	270.0	12	22	317.5	292.1	12	29	381.0	317.5	12	32
200	8"	342.9	298.5	8	22	381.0	330.2	15	25	381.0	349.2	12	32	469.9	393.7	12	38
250	10"	406.4	362.0	12	25	444.5	387.3	12	29	444.5	431.8	16	35	546.1	469.9	16	38
300	12"	482.6	431.8	12	25	520.7	451.0	16	32	520.7	489.0	20	35	609.6	533.4	20	38
350	14"	533.0	476.0	12	29	584.0	514.0	20	32	584.0	527.0	20	38	641.0	559.0	20	41
400	16"	597.0	540.0	16	29	648.0	572.0	20	35	648.0	603.0	20	41	705.0	616.0	20	44
450	18"	635.0	578.0	16	32	711.0	629.0	24	35	711.0	654.0	20	44	787.0	686.0	20	51
500	20"	699.0	635.0	20	32	775.0	686.0	24	35	775.0	724.0	24	44	857.0	749.0	20	54
600	24"	813.0	749.0	20	35	914.0	813.0	24	51	914.0	838.0	24	51	1041.0	902.0	20	67

Tel: 01626 201092

quotes@tfpes.co.uk

Tel: 01626 201092