

# TRACE HEATING FROST PROTECTION

## Frost Protection

### Overview

Frost protection of pipework and vessels for non hazardous area applications, without steam cleaning. Water lines and process pipework can become a real problem when ambient temperatures drop below freezing. It is only when products thaw that one realises the damage and expense a failed pipe can cause.

Our Range of parallel circuit self regulating heating cables are inherently temperature safe and can be cut and terminated on site to suit the required application.

Our range of heaters are most suitable for protection of pipes against freezing in winter, and low temperature maintenance to 30°C.

Incorporating our range of IP67 weatherproof air and pipe sensing thermostats, accurate protection and control of heating is achieved.

### Specification

Maximum Exposure Temperature	85°C (continuous power on)
Minimum Installation Temperature	-40°C
Minimum Bending Radius	35mm at -60 °C; 13mm at 20 °C
Supply Voltage	230v (110v on request)
Chemical Resistance	Suitable for corrosive environments.

Tel: 01626 201092

## Applications

Carbon Steel, Stainless Steel, Plastic and Copper pipes, Insulated Heating Jackets

## Frost Protection

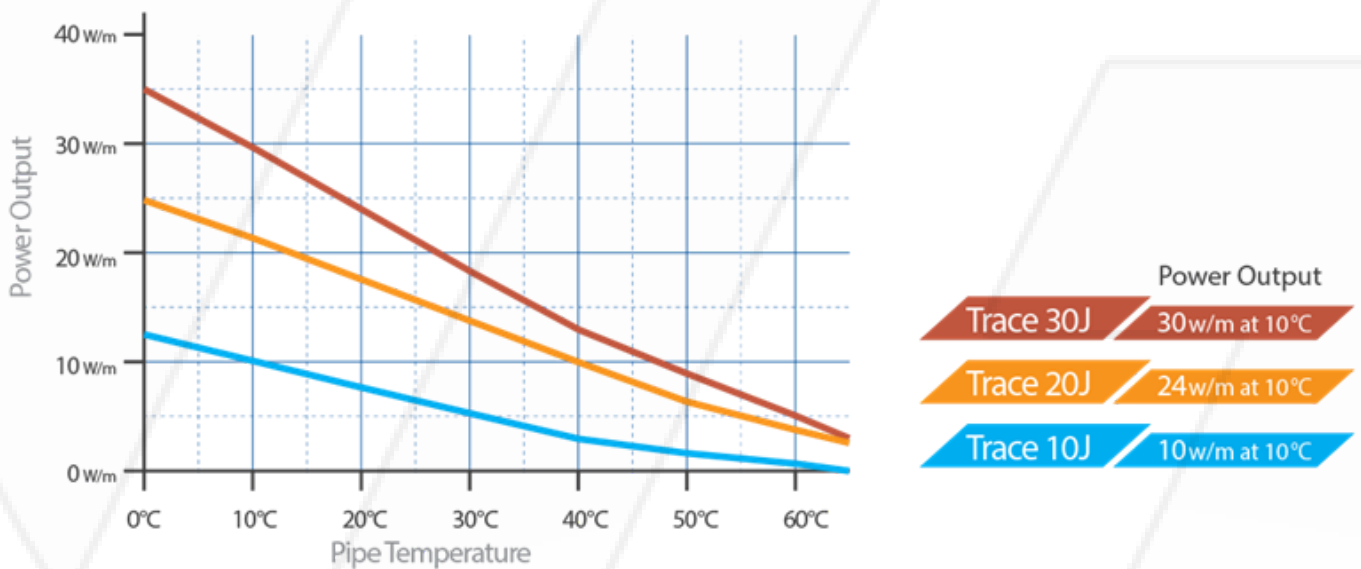
Pipes and vessels, Firewater mains, Chiller pipe-work, DHW and Heating pipe-work

## Temperature Maintenance

Process pipe-work up to 30°C, Chocolate, Edible oils, Caustic Lines

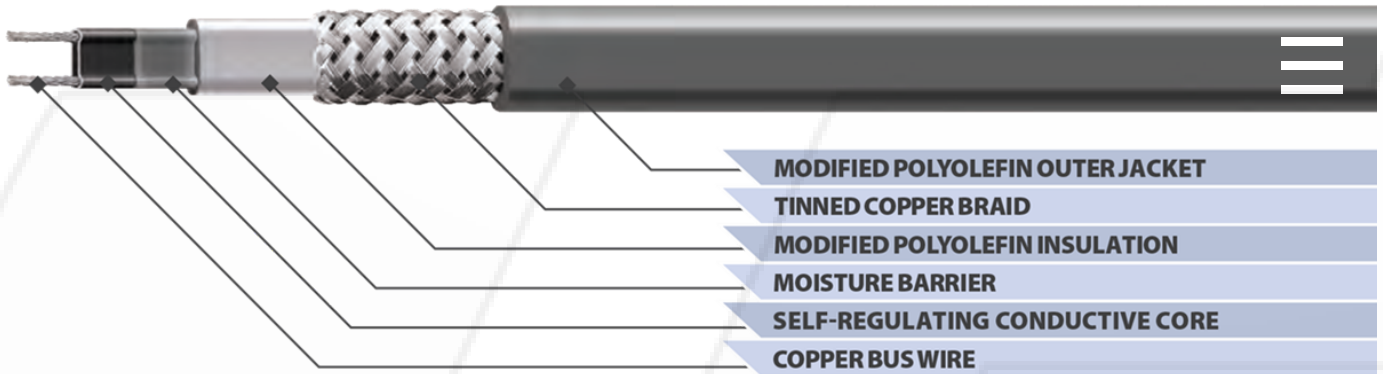
## Thermal Output Rating

Nominal power output at 230 Vac on insulated steel pipes



Tel: 01626 201092

## Product Guide



## Maximum Circuit Lengths

	16A	20A
Trace10	180	200
Trace20	90	110
Trace30	70	85

The use of a 30mA residual current device to provide maximum safety is recommended.

## Specifications

### Pipe Diameter

20°C		15mm - 54mm	76mm	89mm	114mm	168mm	219mm
		½ in - 2 in	2 ½ in	3 in	4 in	6 in	8 in
Insulation Thickness	20mm	Trace10	n/a	n/a	n/a	n/a	n/a
	25mm	Trace10	Trace10	Trace20	Trace20	Trace20	Trace20
	30mm	Trace10	Trace10	Trace10	Trace20	Trace20	Trace20
	40mm	Trace10	Trace10	Trace10	Trace10	Trace20	Trace20
	50mm	Trace10	Trace10	Trace10	Trace10	Trace20	Trace20

Tel: 01626 201092

## Self-Regulating Cables

Our self-regulating cables are all certified Grade 2.2 BS6351 and can be supplied at any length, cut to order.

### TRACE10J

**Loading** 10w/m, 230V  
Complete with earth and outer jacket

### TRACE16J

**Loading** 16w/m, 230V  
Complete with earth and outer jacket

### TRACE20J

**Loading** 20w/m, 230V  
Complete with earth and outer jacket

### TRACE30J

**Loading** 30w/m, 230V  
Complete with earth and outer jacket

### ECOTRACE15J

**Loading** 15w/m, 230V  
Complete with earth and outer jacket  
Small geometry cable

### TRACEJ1

**Loading** 110V  
Complete with earth and outer jacket

Tel: 01626 201092